

# LBP-1760/1760e

## PARTS CATALOG

REVISION 1

**Canon**

DEC. 1999

**RY8-3317-010**

## PREFACE

This Parts Catalog contains listings of parts used in the LBP-1760/1760e, the duplex unit, the envelope feeder, and the paper feeder. Diagrams are provided with the listings to aid the service technician in clearly identifying the item to be ordered.

Whenever ordering parts, consult this Parts Catalog for all of the information pertaining to each item. Be sure to include in the Parts Request the full item description, the item part number, and the quantity. The parts catalog may be revised if there is significant product modification. For minor product modifications, a Service Information Bulletin will be issued.

Canon Inc.

Peripheral Products Quality Planning Div.  
Peripheral Products Technical Documentation Dept  
5-1, Hakusan 7-chome, Toride-shi, Ibaraki 302-8501, Japan

*COPYRIGHT © 1999 CANON INC.*

*Printed in Japan*

*Imprimé au Japon*

Use of this manual should be strictly supervised to avoid disclosure of confidential information.

## LIST OF ORDER AND SERIAL NUMBERS

NAME	REMARKS	ORDER No.	SERIAL No.
LBP-1760	100-127V	R71-2044-000	JJH00001-
	220-240V	R71-2048-000	KKM00002-
LBP-1760e	220-240V	R71-2108-000	KMGA000001-
	220-240V	R71-2108-001	KMHA000001-
DUPLEX UNIT DU-52		R73-5004-000	LGS00001-
ENVELOPE FEEDER EF-52		R73-5005-000	LGT00001-
PAPER FEEDER PF-52		R73-5006-000	LGX00001-

# CONTENTS

## A. ASSEMBLY LOCATION DIAGRAM

- 100. EXTERNAL COVERS, PANELS, ETC.
- 101. TOP COVER ASS'Y
- 102. INTERNAL COMPONENTS 1
- 103. INTERNAL COMPONENTS 2
- 104. INTERNAL COMPONENTS 3
- 105. INTERNAL COMPONENTS 4
- 106. INTERNAL COMPONENTS 5
- 110. ENGINE CONTROLLER PCB ASS'Y
  
- 250. DELIVERY DRIVE ASS'Y
- 260. PRINTER DRIVE ASS'Y
- 270. PAPER PICK-UP DRIVE ASS'Y
  
- 300. CASSETTE
- 310. MULTI-PURPOSE PICK-UP ASS'Y
- 315. MULTI-PURPOSE TRAY ASS'Y
- 320. PAPER FEED ASS'Y
- 325. REGISTRATION ASS'Y
- 330. PAPER FEED GUIDE ASS'Y
- 370. PAPER DELIVERY ASS'Y
  
- 810. FIXING ASS'Y
  
- 900. PCB ASS'Y LOCATION DIAGRAM

## -DUPLEX UNIT-

- D10. INTERNAL COMPONENTS 1
- D11. INTERNAL COMPONENTS 2
  
- D90. PCB ASS'Y LOCATION DIAGRAM

## -ENVELOPE FEEDER-

- F10. EXTERNAL COVERS, PANELS, ETC.
- F11. INTERNAL COMPONENTS 1
- F12. INTERNAL COMPONENTS 2
  
- F90. PCB ASS'Y LOCATION DIAGRAM

## -PAPER FEEDER-

- EA. ASSEMBLY LOCATION DIAGRAM
  
- E11. INTERNAL COMPONENTS
  
- E20. PAPER PICK-UP DRIVE ASS'Y
  
- E30. CASSETTE
  
- E90. PCB ASS'Y LOCATION DIAGRAM
  
  
- B. NUMERICAL INDEX

# HOW TO USE PARTS LISTS

Assembly Location Diagrams. These diagrams show the locations of major assemblies of the machine. Their names are identified in rectangular boxes. Below each box is the number of the Figure which shows an exploded view of the assembly.

Finding a Parts Number. Refer to the Assembly Location Diagrams and find the Figure Number of the assembly of interest. Turn to the page(s), locate the part on the exploded view, and find its Key Number. Refer to the Parts List on the page facing the exploded view and find the Key Number, Part Number and quantity required for your type of machine.

Note : While looking for a Part Number, pay particular attention to the voltage listed in the SERIAL NUMBER/REMARKS column to ensure that the Part Number selected is for your type of machine. Immediate shipping or action regarding the part depends on using its correct Part Number.

Parts List pages. The Parts List pages contain the following columns and information.

(1) Figure and Key Number column. The first column shows the Figure Number of the illustration corresponding to the Parts List, and the Key Number that identifies the part on the illustration.

(2) Part Number. The second column shows the Part Number for the part. This Number must be used when ordering replacement parts or assemblies described in the description column do not have a Part Number and are not stocked.

Note : The last three digits (suffix) of the Parts Number are called the Revision Number. The Revision Number is changed if the part is modified. Information regarding such changes will be provided by Service Information Bulletins. These Bulletins should be read carefully.

(3) Rank N. Parts marked "N" are service parts, but are not stock items. They are produced on a special-order basis.

(4) Quantity column. The quantity shown in this column is the number of parts used in the Figure. However, the quantity listed for an assembly indicates the number of that assembly per machine. The letters in this column indicate that the quantity of a parts is not specified, allowing the use of the number of parts needed for assembly and that the quantity cannot be mentioned clearly.

(5) Description column. The Description column lists the description that should be used when ordering the part.

(6) Serial Number/Remarks. When there are differences in the specifications of power supply voltage, frequency, etc., the differences are described in words or indicated by one two or three letters in front of the serial number.

(Example)

Serial number ABC00001  
↑ This is the descriptive indicator.

If a model modified and a part is no longer interchangeable, the serial number of machines for which the part can be used is shown in this column. If there is no indication the part can be used with all models.

Numerical Index. There is a Numerical Index at the end of this catalog; it lists in numerical order every Part Number contained in the Parts Lists. The Numerical Index contains the following columns and information.

(1) Part Number. The first column shows the Part Number.

(2) Figure and Key Number column. The second column lists the Figure and Key Number for each occurrence of the part in the illustrations.

# FIGURE A ASSEMBLY LOCATION DIAGRAM (1/2)

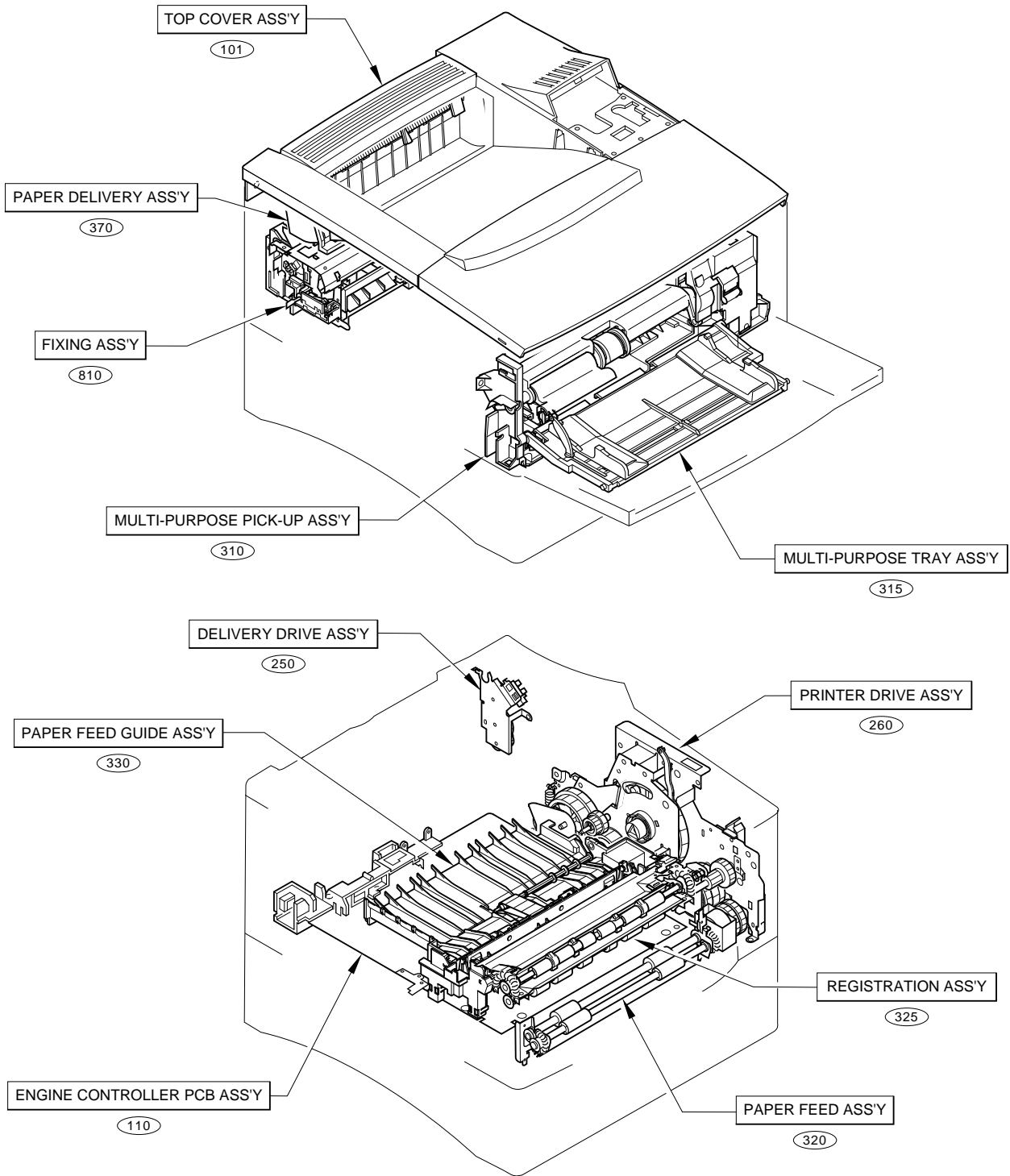


FIGURE A ASSEMBLY LOCATION DIAGRAM (2/2)

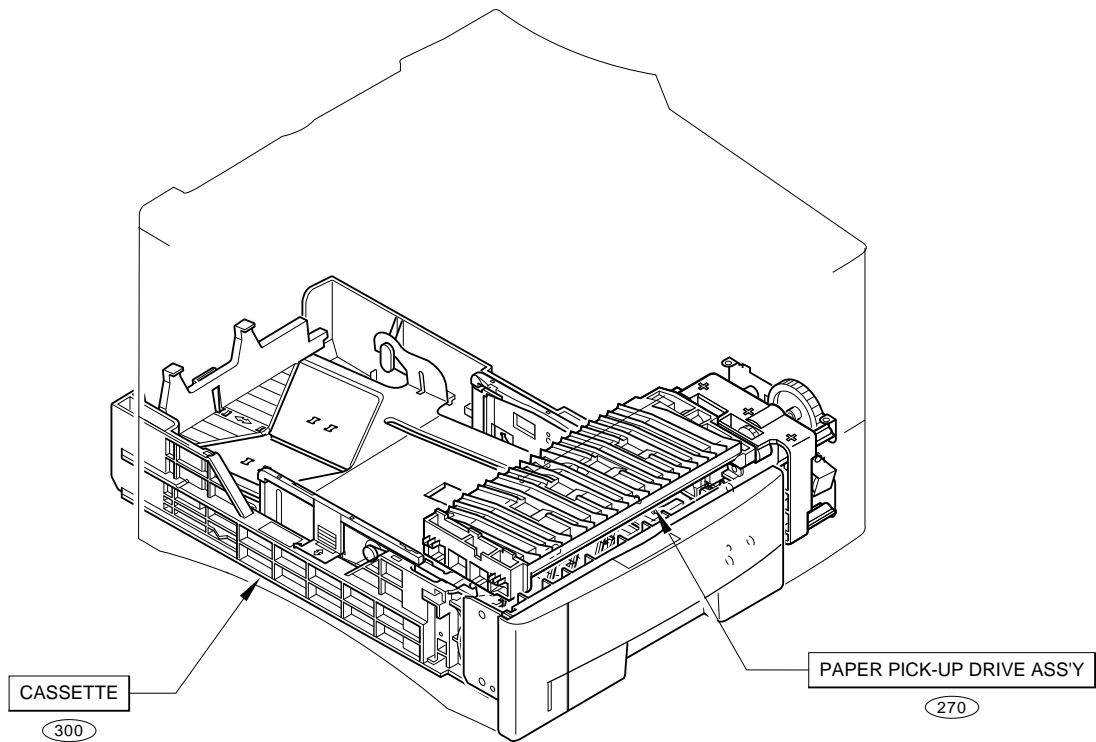


FIGURE 100 EXTERNAL COVERS, PANELS, ETC.

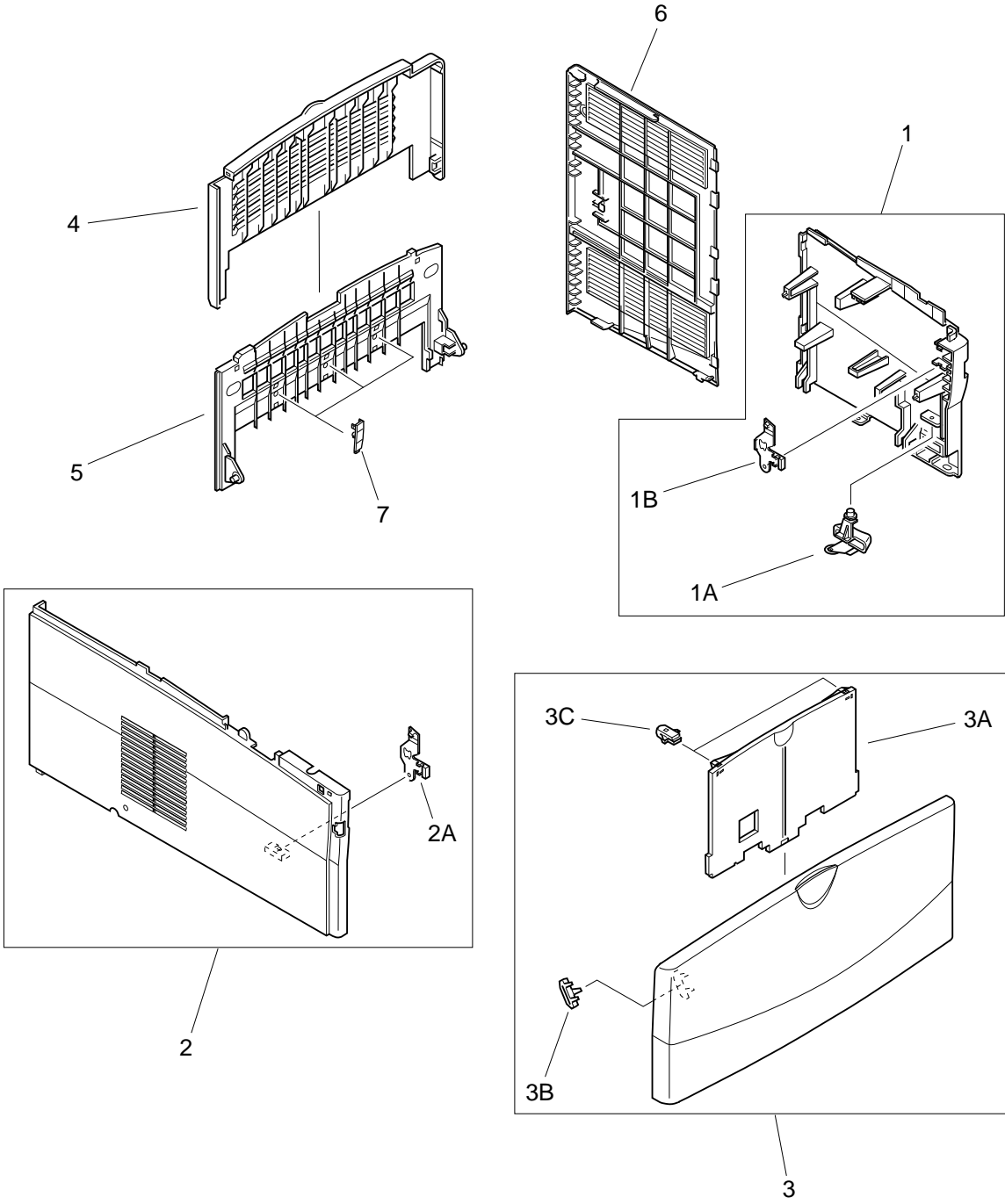




FIGURE & KEY NO.	PART NUMBER	RANK	QTY	DESCRIPTION	SERIAL NUMBER / REMARKS
100 -	NPN		RF	EXTERNAL COVERS, PANELS, ETC.	
1	RG5-4541-000		1	RIGHT COVER ASS'Y	
1A	RB2-2733-000		1	BUTTON, SWITCH	
1B	RB2-2732-000		1	PLATE, LOCK	
2	RG5-4542-000		1	LEFT COVER ASS'Y	
2A	RB2-2731-000		1	PLATE, LOCK	
3	RG5-4536-000		1	FRONT COVER ASS'Y	
3A	RB2-2739-000		1	TRAY, EXTENSION	
3B	RB1-8764-000		1	DAMPER	
3C	RB2-2753-000		2	BLOCK, TRAY	
4	RB2-2740-000		1	TRAY, EXTENSION, FACE-UP	
5	RB2-2749-000		1	TRAY, FACE-UP	
6	RB2-2741-000		1	PANEL, RIGHT, REAR	
7	RB1-8990-000		3	RIB, TRAY	

FIGURE 101 TOP COVER ASS'Y

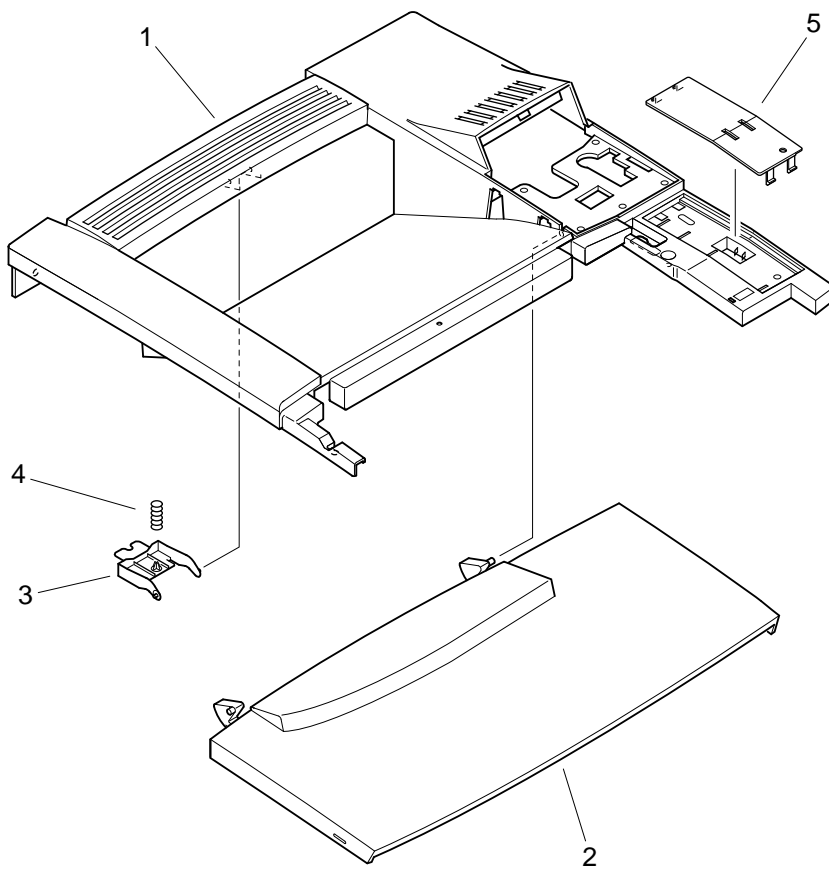


FIGURE & KEY NO.	PART NUMBER	R A N K	Q' T Y	DESCRIPTION	SERIAL NUMBER / REMARKS
101 -	RG5-4539-000		1	TOP COVER ASS'Y	LBP-1760
	RG5-4548-000		1	TOP COVER ASS'Y	LBP-1760E
1	RB2-2737-000		1	COVER, UPPER	
2	RF5-2850-000		1	DOOR, CARTRIDGE	LBP-1760
	RF5-2852-000		1	DOOR, CARTRIDGE	LBP-1760E
3	RB1-8846-000		1	ARM, LOCK, TRAY	
4	RB1-8847-000		1	SPRING, COMPRESSION	
5	RB1-8710-000		1	PLATE, COVER	

# FIGURE 102 INTERNAL COMPONENTS 1

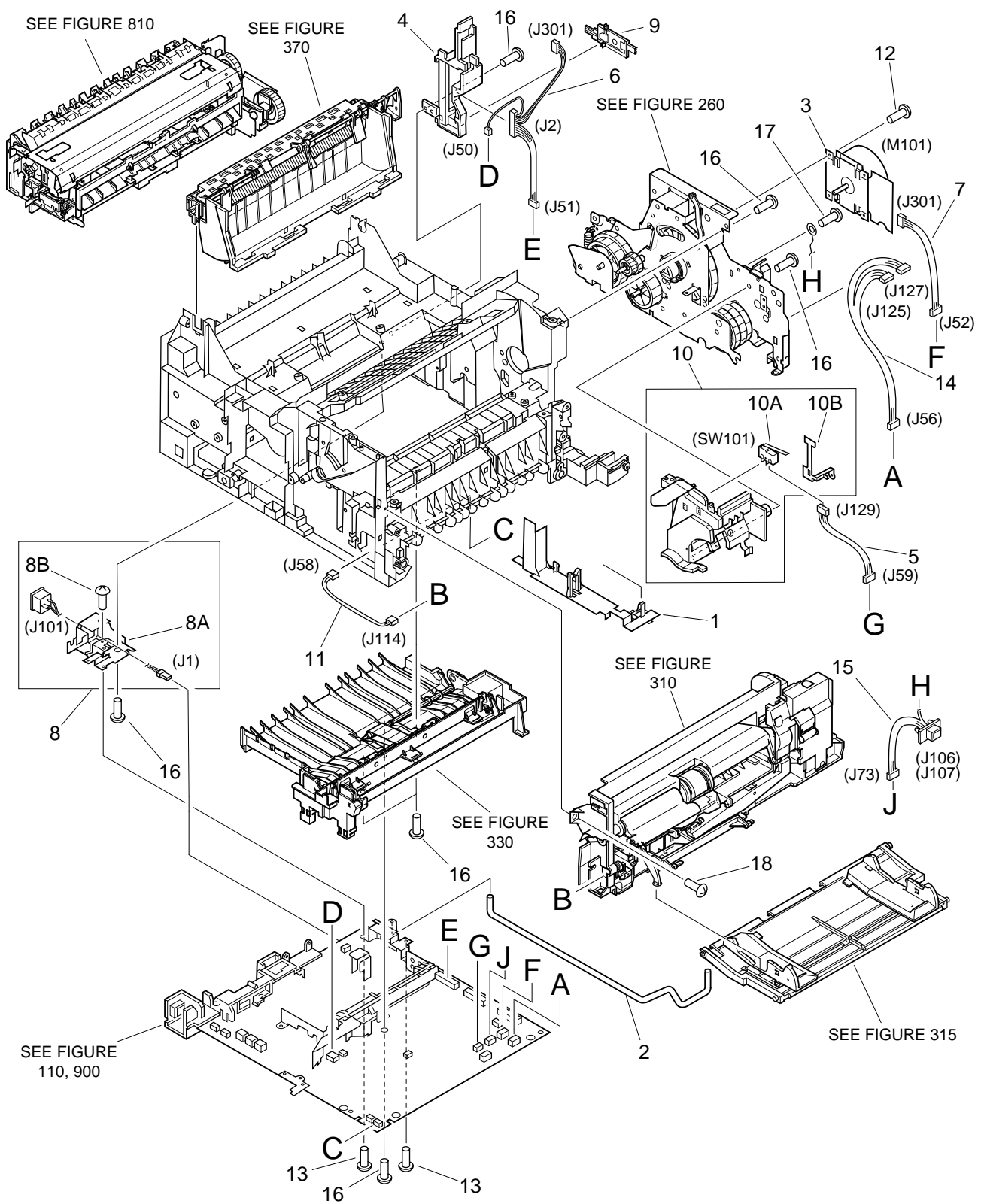


FIGURE & KEY NO.	PART NUMBER	RANK	QTY	DESCRIPTION	SERIAL NUMBER / REMARKS
102 -	NPN		RF	INTERNAL COMPONENTS 1	
1	RB1-8704-030		1	HOLDER, CABLE	
2	RB1-8851-000		1	ROD, SWITCH	
3	RG5-3729-000		1	MAIN MOTOR ASS'Y	M101, J301
4	RB1-8862-000		1	HOLDER, CONNECTOR	
5	RG5-3705-000		1	DOOR SWITCH CABLE	J59, J129
6	RG5-3708-000		1	VIDEO INTERFACE CABLE	J2, J50, J51, J301
7	RG5-3709-000		1	MAIN MOTOR CABLE	J52, J301
8	RG5-3696-000		1	AC LINE CABLE	J1, J101
8A	RB1-8833-000		1	HOLDER, INLET	
8B	XA9-0265-000		1	SCREW, W/WASHER, M4X6	
9	RB1-8712-000		1	HOLDER, CABLE	
10	RG5-2645-000		1	FRONT INNER COVER ASS'Y	
10A	WC4-5139-000		1	MICROSWITCH	SW101
10B	RB1-8694-000		1	PLATE, GROUNDING	
11	RG5-3700-000		1	MP TRAY PAPER SENSOR CABLE	J58, J114
12	XA9-0434-000		4	SCREW, TP, M3X4	
13	XA9-0904-000		3	SCREW, M3X6	
14	RG5-3703-000		1	CLUTCH/SOLENOID CABLE	J56, J125, J127
15	RG5-3704-000		1	ENVELOPE FEEDER CABLE	J73, J106, J107
16	XA9-0870-000		12	SCREW, M4X10	
17	FA9-1449-000		1	SCREW, TRUSS HEAD, W/WASHER	
18	XA9-0790-000		5	SCREW, ALLEN HEAD, M8X8	

# FIGURE 103 INTERNAL COMPONENTS 2

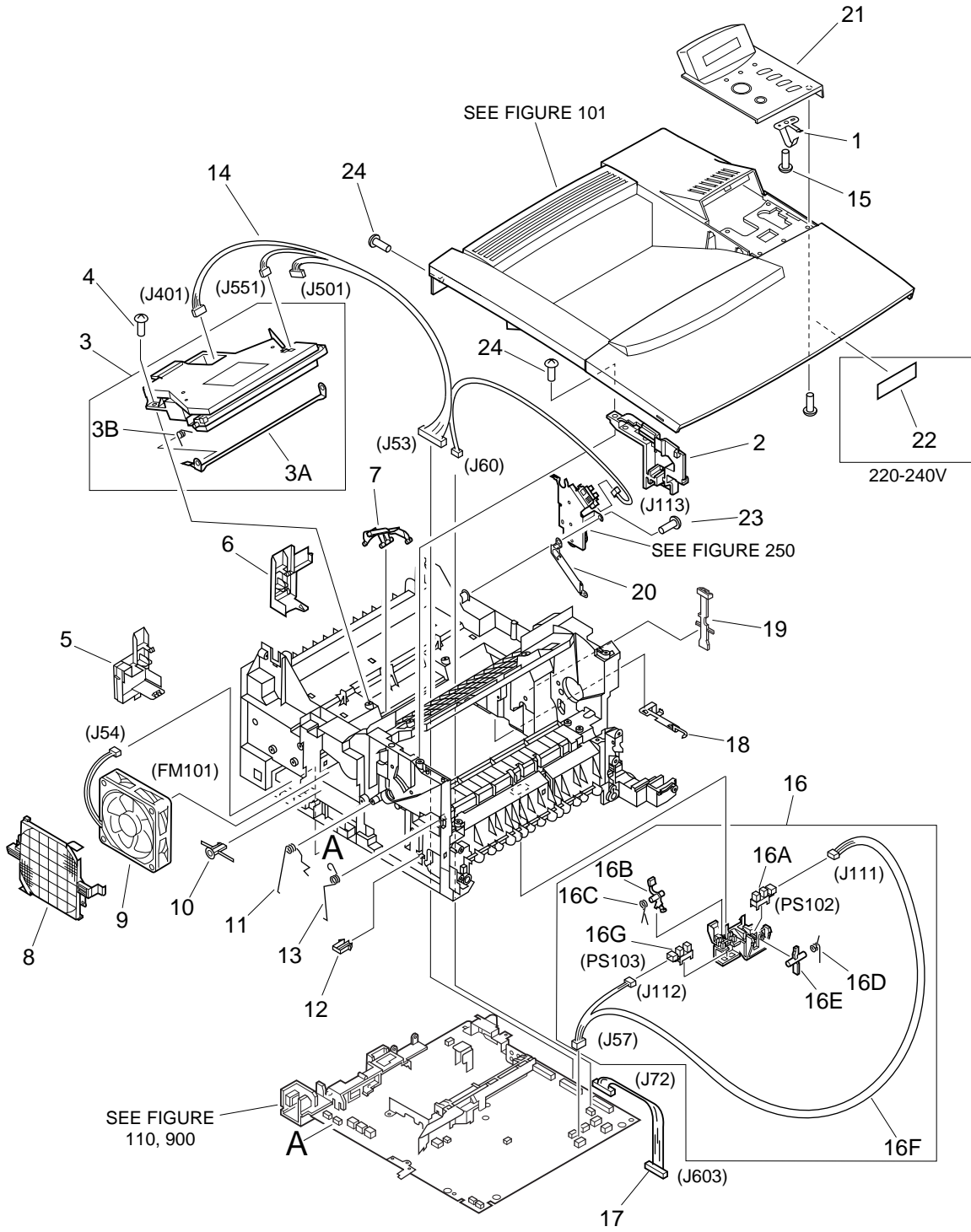


FIGURE & KEY NO.	PART NUMBER	RANK	QTY	DESCRIPTION	SERIAL NUMBER / REMARKS
103 -	NPN		RF	INTERNAL COMPONENTS 2	
1	RB2-2742-000		1	PLATE, GROUNDING	
2	RB1-8671-000		1	COVER, FRONT INNER, LEFT	
3	RG5-2641-030		1	LASER/SCANNER ASS'Y	
3A	RB1-8699-000		1	SHUTTER, LASER	
3B	RB1-8702-000		1	SPRING, TORSION	
4	XA9-0790-000		4	SCREW, ALLEN HEAD, M8X8	
5	RB2-2750-000		1	COVER, REAR, LEFT	
6	RB2-2751-000		1	COVER, REAR, RIGHT	
7	RB1-8700-000		1	LEVER	
8	RB1-8706-000		1	FILTER, DUST	
9	RH7-1335-000		1	FAN	FM101, J54
10	RB1-8688-000		1	BUTTON, TEST PRINT	
11	RB1-8693-000		1	SPRING, TORSION	
12	RB1-8690-000		1	HOLDER, ANTENNA	
13	RB1-8695-000		1	SPRING, TORSION	
14	RG5-3876-000		1	LASER/SCANNER UNIT CABLE	J53, J60, J113, J401 J501, J551
15	XA9-0384-000		1	SCREW, M3	
16	RG5-2642-000		1	SENSOR ASS'Y	
16A	WG8-5382-000		1	IC, TLP1242, PHOTO-INTERRUPTER	PS102, J111
16B	RB1-8678-000		1	LEVER, SENSOR	
16C	RB1-8680-000		1	SPRING, TORSION	
16D	RB1-8681-000		1	SPRING, TORSION	
16E	RB1-8687-000		1	LEVER, SENSOR	
16F	RG5-3706-000		1	PRE-FEED/TOP SENSOR CABLE	J57, J111, J112
16G	WG8-5382-000		1	IC, TLP1242, PHOTO-INTERRUPTER	PS103, J112
17	RG5-3710-000		1	PAPER PICK-UP CABLE	J72, J603
18	RB1-8708-000		1	SPRING, LEAF	
19	RB1-8689-000		1	HOLDER, CABLE	
20	RB1-8827-000		1	SPRING, LEAF	
21	RG5-4540-000		1	OPERATION PANEL ASS'Y	
22	RS6-8113-000		1	LABEL	220-240V
23	XA9-0870-000		1	SCREW, M4X10	
24	XA9-0780-000		4	SCREW, M4X12	

# FIGURE 104 INTERNAL COMPONENTS 3

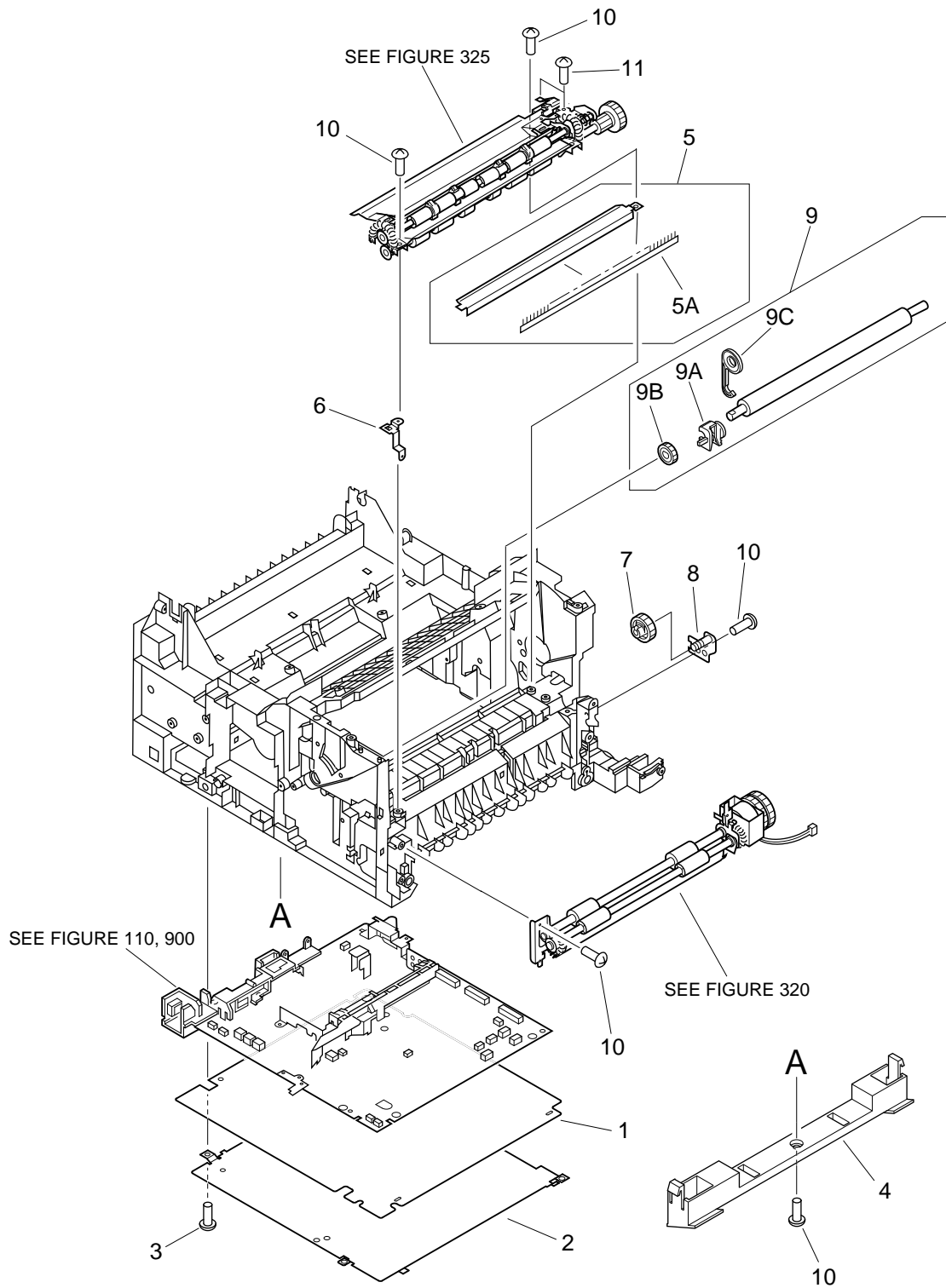




FIGURE & KEY NO.	PART NUMBER	RANK	QTY	DESCRIPTION	SERIAL NUMBER / REMARKS
104 -	NPN		RF	INTERNAL COMPONENTS 3	
1	RB1-8838-000		1	SHEET, INSULATION	
2	RB2-2404-000		1	PLATE, COVER	
3	XA9-0606-000		1	SCREW, M4X10	
4	RB1-8716-000		1	GUIDE, PROTECT	
5	RF5-1867-030		1	GUIDE, TRANSFER	
5A	RB1-8677-000		1	BRUSH, STATIC ELIMINATOR	
6	RB1-8747-000		1	SPRING, LEAF	
7	RS5-0911-000		1	GEAR, 19T	
8	RF5-2496-000		1	PLATE	
9	RG5-4283-000		1	TRANSFER ROLLER ASS'Y	
9A	RB1-8713-000		1	BUSHING	
9B	RS5-0948-000		1	GEAR, 18T	
9C	RB1-8714-000		1	HOOK, ROLLER	
10	XA9-0870-000		8	SCREW, M4X10	
11	FA9-1449-000		2	SCREW, TRUSS HEAD, W/WASHER	

# FIGURE 105 INTERNAL COMPONENTS 4

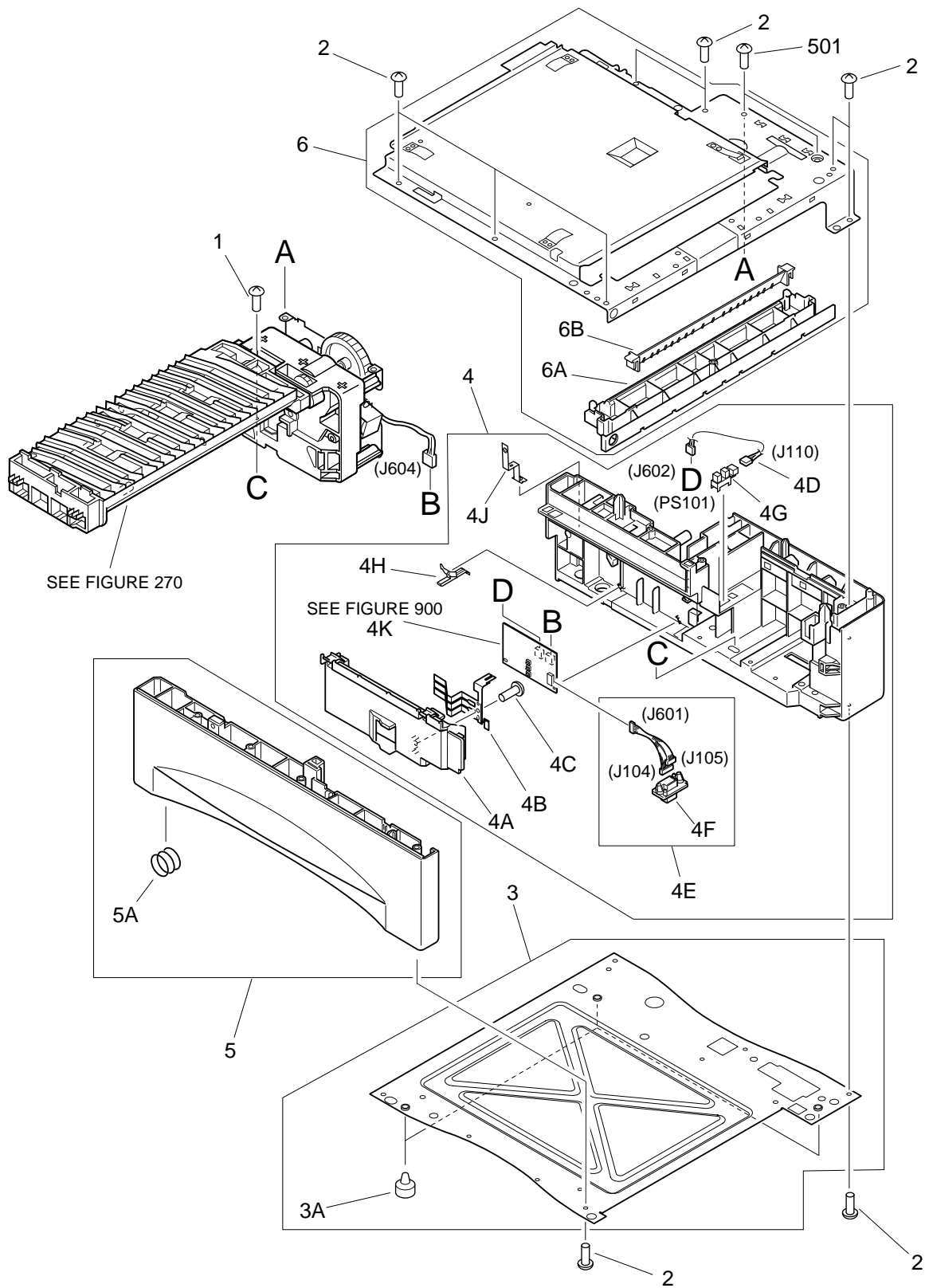


FIGURE & KEY NO.	PART NUMBER	RANK	QTY	DESCRIPTION	SERIAL NUMBER / REMARKS
105 -	NPN		RF	INTERNAL COMPONENTS 4	
1	XA9-0917-000		1	SCREW, M3X16	
2	XA9-0870-000		16	SCREW, M4X10	
3	RG5-2670-000		1	LOWER FRAME ASS'Y	
3A	RB1-8107-000		3	FOOT	
4	RG5-4544-000		1	RIGHT FRAME ASS'Y	
4A	RB1-8886-020		1	COVER, PCB	
4B	RB1-8887-000		1	SPRING, LEAF	
4C	XA9-0915-000		1	SCREW, M3X6	
4D	RG5-3711-000		1	PAPER SENSOR CABLE	J110, J602
4E	RG5-3712-000		1	PAPER FEEDER CABLE	J104, J105, J601
4F	VS1-6176-006		1	CONNECTOR, 6P	J104, J105
4G	WG8-5362-000		1	IC, TLP1241, PHOTO-INTERRUPTER	PS101, J110
4H	RB1-8979-000		1	SPRING, GROUNDING, 1	
4J	RB1-8888-000		1	SPRING, LEAF	
4K	RG5-2673-000		1	PAPER SIZE DETECTION PCB ASS'Y	SEE FIGURE 900
5	RG5-4545-000		1	LEFT FRAME ASS'Y	
5A	RS5-2652-000		1	SPRING, COMPRESSION	
6	RG5-2671-000	N	1	UPPER FRAME ASS'Y	
6A	RB1-8873-000		1	GUIDE, PAPER	
6B	RB1-8890-000		1	GUIDE, PAPER	
501	XB5-2300-609		2	SCREW, CT, M3X6	

# FIGURE 106 INTERNAL COMPONENTS 5

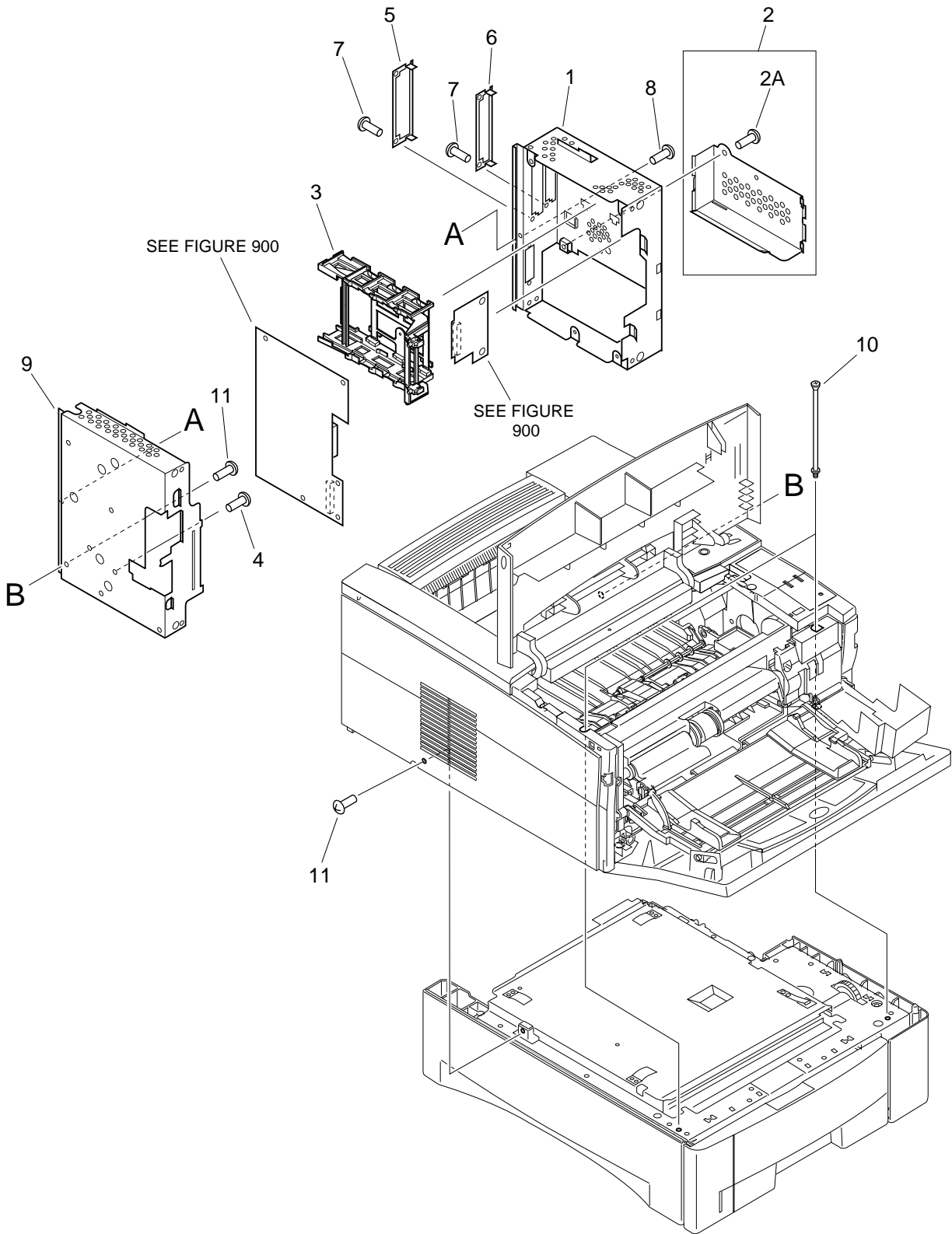


FIGURE & KEY NO.	PART NUMBER	R A N K	Q' T Y	DESCRIPTION	SERIAL NUMBER / REMARKS
106 -	NPN		RF	INTERNAL COMPONENTS 5	
1	RB2-2762-000		1	COVER, SHIELD	
2	RF5-2851-000		1	COVER, MEMORY	
2A	RB2-2759-000		1	SCREW, M4	
3	RB2-2764-000		1	RAIL, GUIDE	
4	FA9-1449-000		3	SCREW, TRUSS HEAD, W/WASHER	
5	RB2-2767-000		1	COVER	
6	RB2-2768-000		1	COVER	
7	XA9-0258-000		4	SCREW, BINDING HEAD MACHINE	
8	XA9-0267-000		5	SCREW, TP, M3X6	
9	RB2-2761-000		1	CROSSMEMBER	
10	RB1-8703-000		2	SCREW, M4X8.3	
11	XA9-0870-000		5	SCREW, M4X10	

# FIGURE 110 ENGINE CONTROLLER PCB ASS'Y

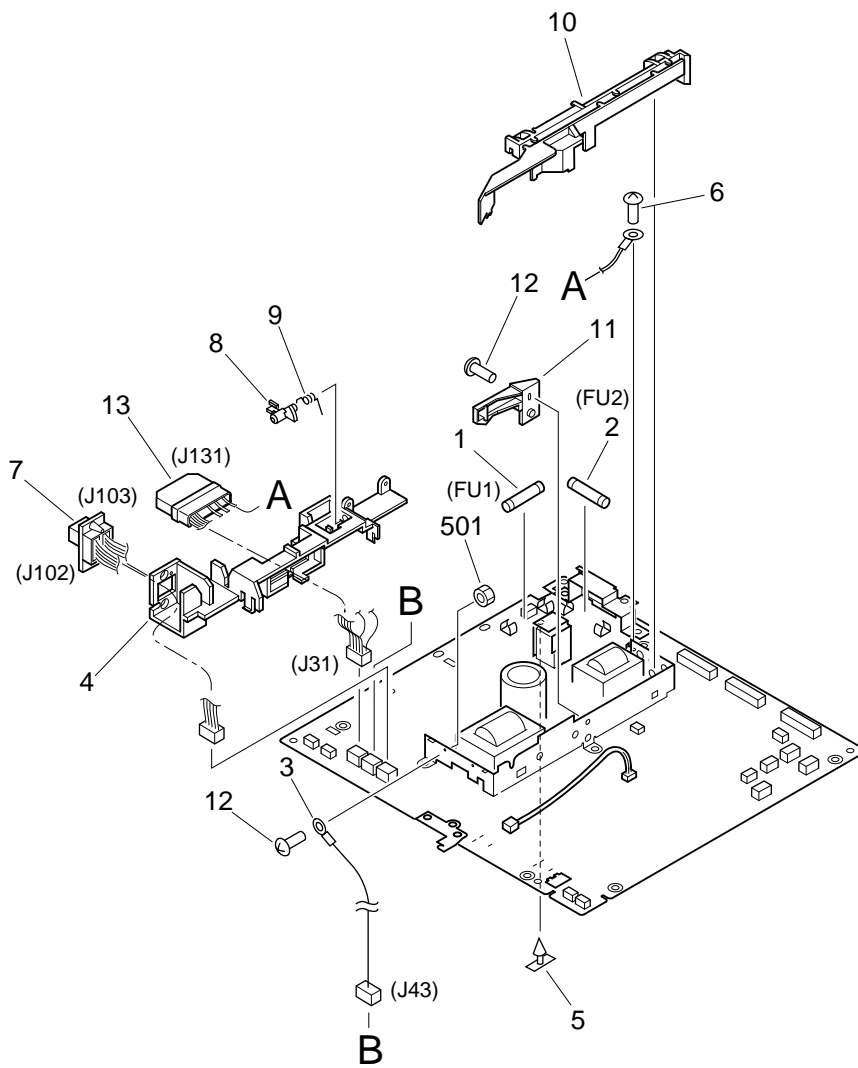


FIGURE & KEY NO.	PART NUMBER	RANK	QTY	DESCRIPTION	SERIAL NUMBER / REMARKS
110 -	RG5-3693-070		1	ENGINE CONTROLLER PCB ASS'Y	100-127V
	RG5-3694-070		1	ENGINE CONTROLLER PCB ASS'Y	220-240V
	1	WD1-0268-000		FUSE, 250V, 15A	FU1 100-127V
		RH3-8006-000		FUSE, 250V, 8A	FU1 220-240V
	2	VD7-0214-001		FUSE, 125V, 4A	FU2 100-127V
		VD7-0643-151		FUSE, AC250V, 3.15A	FU2 220-240V
3	RH7-7098-000		THRMISTOR	J43	
4	RB1-8834-000		GUIDE, CABLE		
5	RH7-8059-000		SPACER, PCB		
6	FA9-1449-000		2	SCREW, TRUSS HEAD, W/WASHER	
7	RG5-3698-000		1	DUPLEXING UNIT CABLE	J102, J103
8	RB1-8854-020		1	ARM, SENSOR	
9	RB1-8855-000		1	SPRING, TORSION	
10	RB1-8709-020		1	GUIDE, CABLE	
11	RB2-2402-000		1	HOLDER, IC	
12	XA9-0950-000		5	SCREW, W/WASHER, M3X9	
13	RG5-3697-000		1	FIXING CABLE	J31, J131
501	XB7-2200-307		2	NUT, HEX, M3	

# FIGURE 250 DELIVERY DRIVE ASS'Y

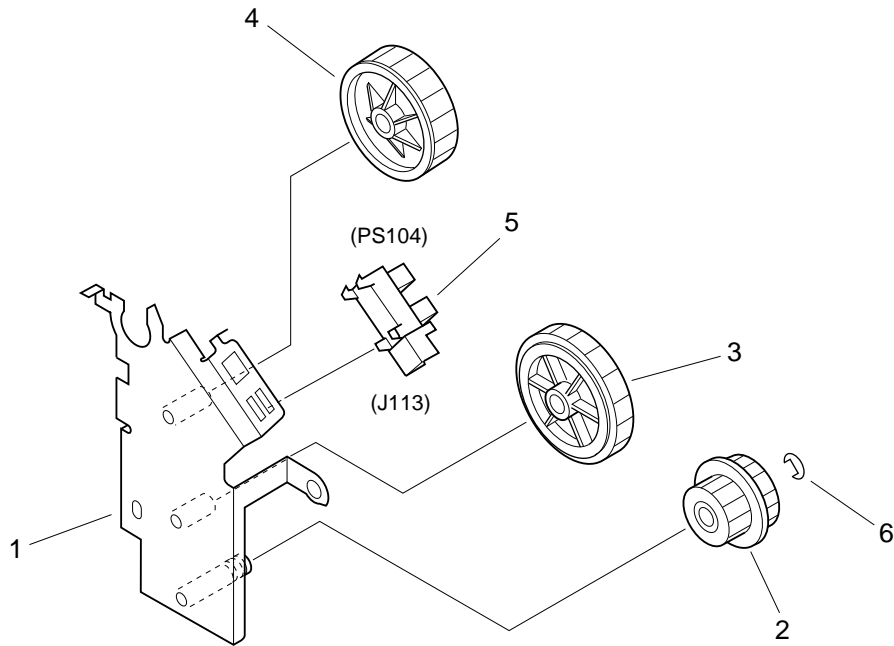


FIGURE & KEY NO.	PART NUMBER	RANK	QTY	DESCRIPTION	SERIAL NUMBER / REMARKS
250 -	RG5-3721-000		1	DELIVERY DRIVE ASS'Y	
1	RF5-1871-000		1	PLATE, DRIVE	
2	RS5-0926-000		1	GEAR, 14T/14T	
3	RS5-0927-000		1	GEAR, 31T	
4	RS5-0928-000		1	GEAR, 30T	
5	WG8-5362-000		1	IC, TLP1241, PHOTO-INTERRUPTER	PS104, J113
6	XD9-0135-000		1	RING, E	
-----					
-----					





# FIGURE 260 PRINTER DRIVE ASS'Y

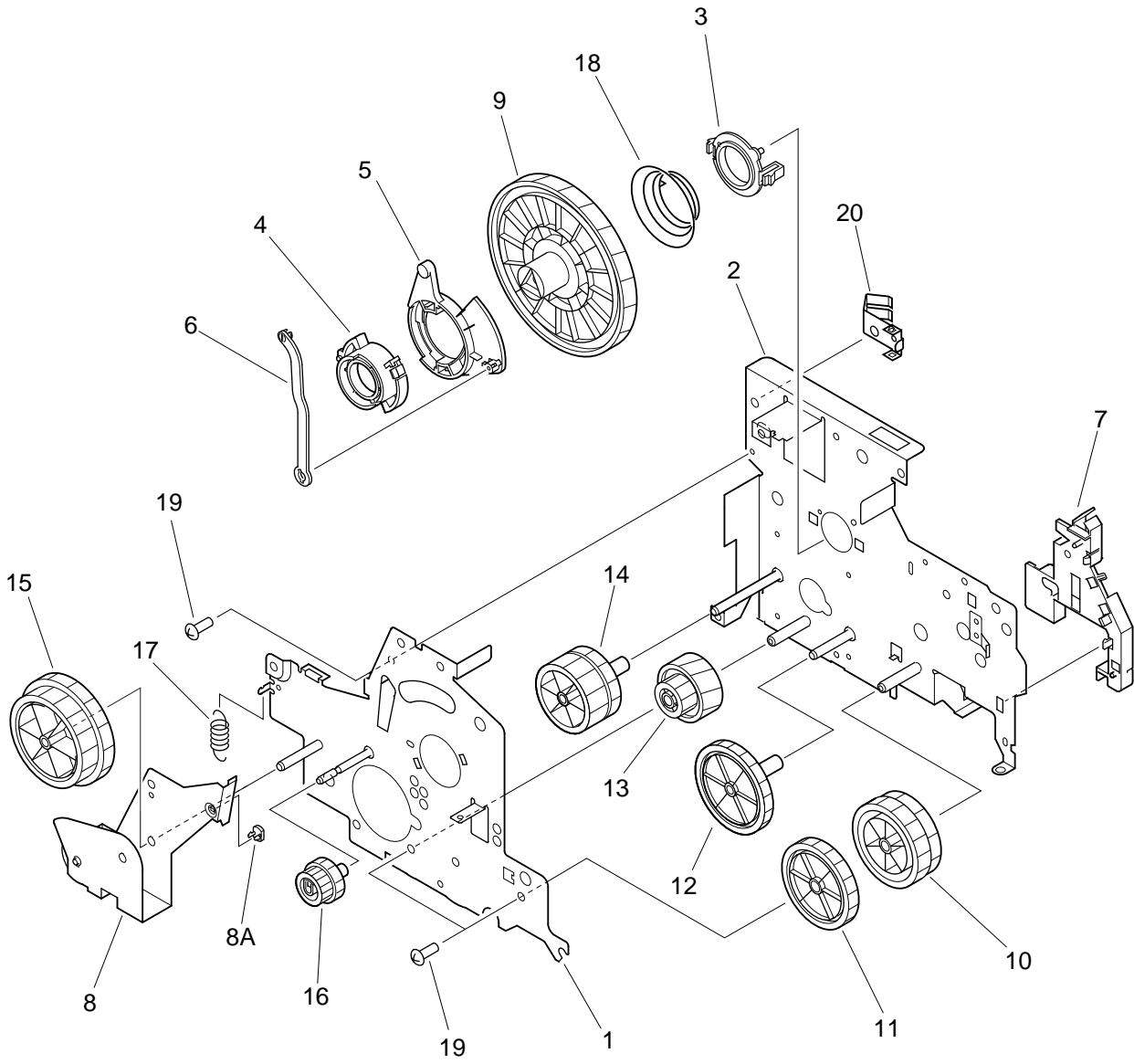


FIGURE & KEY NO.	PART NUMBER	RANK	QTY	DESCRIPTION	SERIAL NUMBER / REMARKS
260 -	RG5-2653-020		1	PRINTER DRIVE ASSY	
1	RF5-1868-000		1	PLATE, DRIVE	
2	RF5-1869-000		1	PLATE, DRIVE	
3	RB1-8753-000		1	BUSHING	
4	RB1-8754-000		1	CAM	
5	RB1-8755-000		1	CAM	
6	RB1-8756-000		1	ROD, RELEASE	
7	RB1-8757-000		1	HOLDER, CABLES	
8	RF5-1888-020		1	PLATE, SWING ARM	
8A	RB1-8986-000		1	CHIP, SWING	
9	RS5-0908-000		1	GEAR, 193T	
10	RS5-0912-000		1	GEAR, 37T/48T	
11	RS5-0913-000		1	GEAR, 49T	
12	RS5-0914-000		1	GEAR, 51T	
13	RS5-0915-000		1	GEAR, 19T/63T	
14	RS5-0916-000		1	GEAR, 39T	
15	RS5-0917-000		1	GEAR, 53T/61T	
16	RS5-0919-000		1	GEAR, 22T/23T	
17	RS5-2629-000		1	SPRING, TENSION	
18	RS5-2631-000		1	SPRING, COMPRESSION	
19	XA9-0267-000		3	SCREW, TP, M3X6	
20	RB1-8760-000		1	SPRING, GROUNDING	

# FIGURE 270 PAPER PICK-UP DRIVE ASS'Y

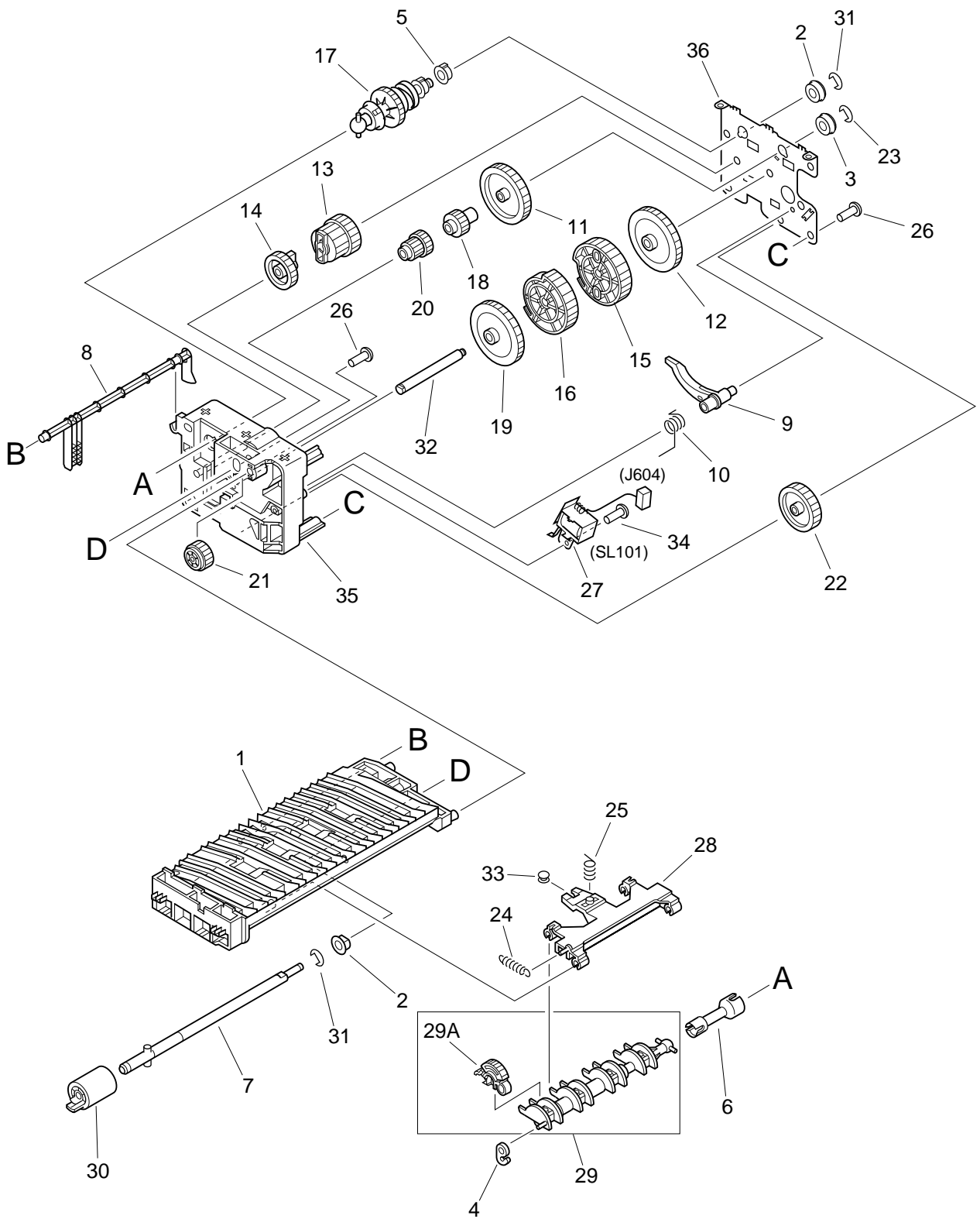


FIGURE & KEY NO.	PART NUMBER	RANK	QTY	DESCRIPTION	SERIAL NUMBER / REMARKS
270 -	RG5-2672-140		1	PAPER PICK-UP DRIVE ASS'Y	
1	RB1-8869-000		1	GUIDE	
2	RS5-1307-000		2	BUSHING	
3	RS5-1308-000		1	BUSHING	
4	RB1-2190-000		1	COLLAR, SPRING	
5	RB1-8955-000		1	SPACER	
6	RB1-8877-000		1	JOINT	
7	RF5-2491-000		1	SHAFT, PAPER FEED	
8	RB1-8879-000		1	LEVER, SENSOR	
9	RB1-8880-000		1	LEVER	
10	RB1-8881-000		1	SPRING, TORSION	
11	RS5-0930-000		1	GEAR, 17T/38T	
12	RS5-0931-000		1	GEAR, 41T	
13	RS5-0932-000		1	GEAR, 23T/27T	
14	RS5-0933-000		1	GEAR, 27T	
15	RS5-0934-000		1	GEAR, 49T	
16	RS5-0935-000		1	GEAR, 31T/39T	
17	RG5-2675-000		1	TORQUE LIMITER ASS'Y	
18	RS5-0937-000		1	GEAR, 18T	
19	RS5-0938-000		1	GEAR, 53T	
20	RS5-0939-000		1	GEAR, 14T/18T	
21	RS5-0940-000		1	GEAR, 20T	
22	RS5-0941-000		1	GEAR, 29T	
23	XD9-0134-000		1	RING, E	
24	RS5-2632-000		1	SPRING, TENSION	
25	RS5-2633-000		1	SPRING, COMPRESSION	
26	XA9-0870-000		6	SCREW, M4X10	
27	RH7-5174-000		1	SOLENOID	SL101, J604
28	RB1-8866-000		1	ARM	
29	RF5-2484-030		1	ROLLER, PICK-UP	
29A	RB1-8957-000		4	ROLLER	
30	RF5-1885-000		1	ROLLER	
31	XD9-0136-000		2	RING, E	
32	RB1-8891-000		1	SHAFT	
33	RB1-8883-000		3	DAMPER	
34	XA9-0640-000		1	SCREW, W/WASHER, M3X12	
35	RB1-8871-050	N	1	FRAME, DRIVE	
36	RB1-8872-000		1	FRAME	

# FIGURE 300 CASSETTE

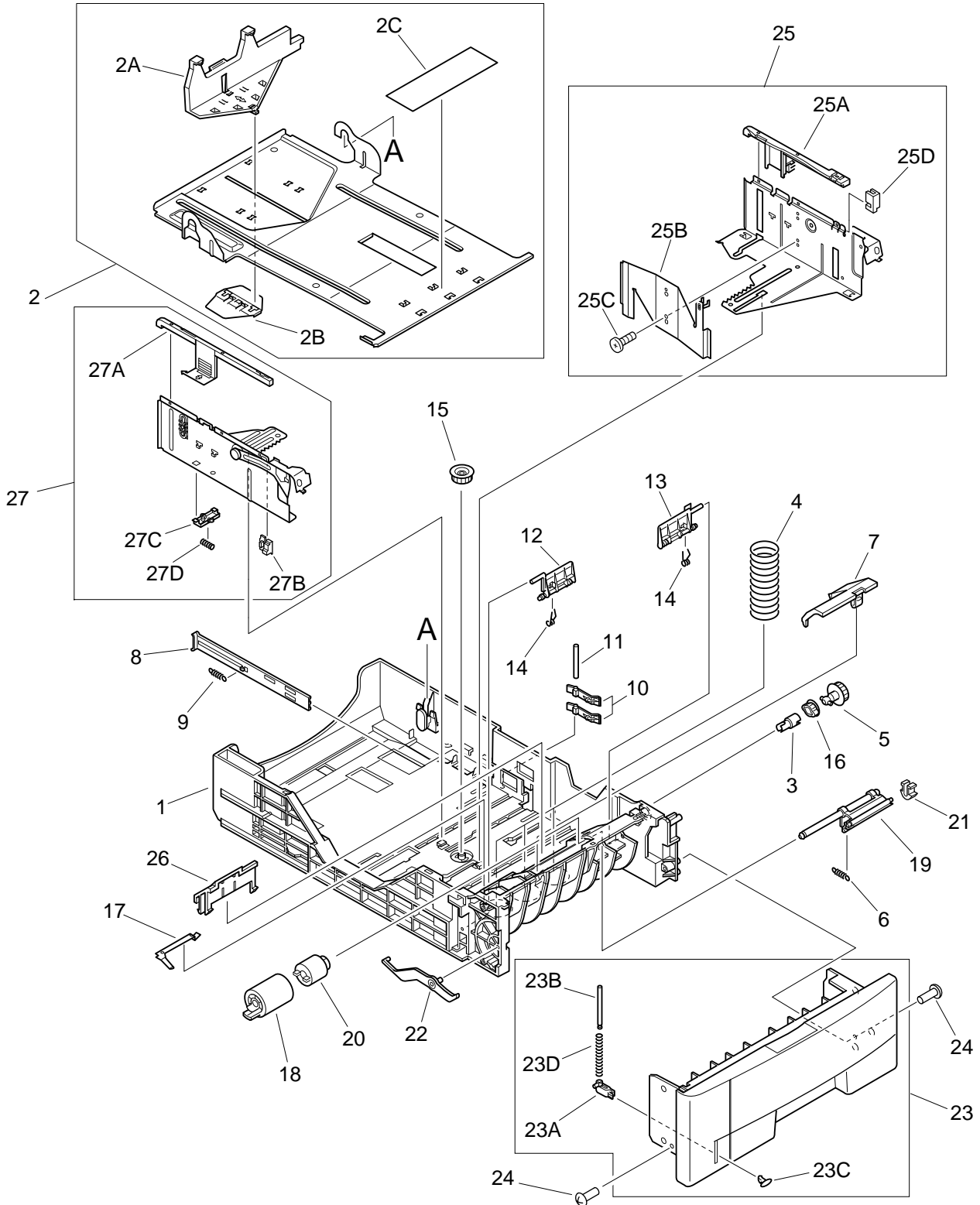


FIGURE & KEY NO.	PART NUMBER	RANK	QTY	DESCRIPTION	SERIAL NUMBER / REMARKS
300 -	NPN		RF	CASSETTE	
1	RB2-2776-000	N	1	BODY, CASSETTE	
2	RF5-2485-040		1	PLATE, PAPER LIFTING	
2A	RF5-2760-000		1	PLATE, LENGTH ADJUSTMENT	
2B	RB1-8951-000		1	SPRING, LEAF	
2C	RB1-8971-020		1	SHEET, SEPARATION	
3	RB1-8945-000		1	JOINT	
4	RS5-2621-000		3	SPRING, COMPRESSION	
5	RB1-8948-000		1	GEAR, 22T	
6	RS5-2622-020		1	SPRING, TENSION	
7	RB2-2775-000		1	COVER	
8	RB1-8965-000		1	PLATE, SIZE	
9	RS5-2624-000		1	SPRING, TENSION	
10	RB1-8963-000		2	ARM, SIZE	
11	RB1-8964-000		1	SHAFT, SIZE ARM	
12	RB1-8961-000		1	ARM, LIFTER, LEFT	
13	RB1-8962-000		1	ARM, LIFTER, RIGHT	
14	RB1-8973-000		2	SPRING, TORSION	
15	RB1-8970-000		1	GEAR, 20T	
16	RB1-8946-000		1	BUSHING	
17	RB1-8972-000		1	SPRING, LEAF	
18	RF5-1885-000		1	ROLLER	
19	RF5-2489-000		1	HOLDER	
20	RB1-8974-000		1	LIMITER, TORQUE	
21	RB1-8956-000		1	STOPPER, REAR	
22	RB1-8966-000		1	ARM, SENSOR	
23	RG5-4546-000		1	CASSETTE FRONT COVER ASS'Y	
23A	RB1-8967-000		1	HOLDER, BLOCK	
23B	RB1-8968-000		1	SHAFT, SENSOR ARM	
23C	RB2-2773-000		1	BLOCK, SENSOR	
23D	RS5-2625-000		1	SPRING, COMPRESSION	
24	XA9-0606-000		2	SCREW, M4X10	
25	RG5-4401-000		1	RIGHT SIDE PLATE ASS'Y	
25A	RB1-8954-000		1	COVER, SIDE, RIGHT	
25B	RB1-9379-000		1	SPRING, LEAF	
25C	XA9-0903-000		2	SCREW, M3X5	
25D	RB1-8893-000		1	HOLDER, CLAW	
26	RB2-2754-000		1	HOLDER, REAR	
27	RG5-2699-000		1	LEFT SIDE PLATE ASS'Y	
27A	RB1-8953-000		1	COVER, SIDE, LEFT	
27B	RB1-8892-000		1	HOLDER, CLAW	
27C	RB1-8952-000		1	BLOCK, SIDE CLICK	
27D	RS5-2623-000		1	SPRING, COMPRESSION	

# FIGURE 310 MULTI-PURPOSE PICK-UP ASS'Y

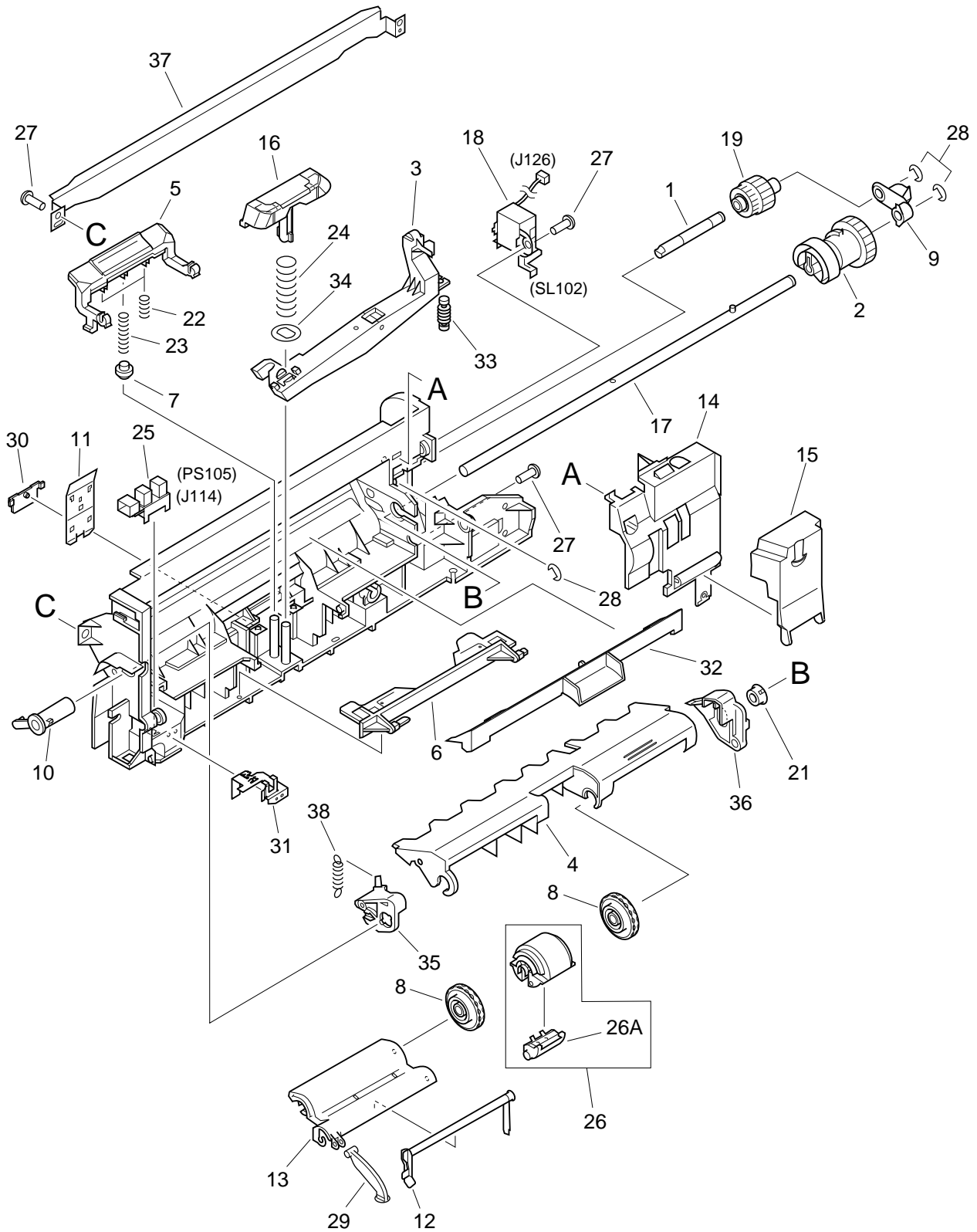




FIGURE & KEY NO.	PART NUMBER	RANK	QTY	DESCRIPTION	SERIAL NUMBER / REMARKS
310 -	RG5-2655-100		1	MULTI-PURPOSE PICK-UP ASS'Y	
1	RB1-8763-000		1	SHAFT, IDLER	
2	RB1-8765-000		1	CLUTCH, MULTI-PURPOSE	
3	RB1-8766-000		1	LEVER, PAPER LIFT	
4	RB1-8771-020		1	GUIDE, MULTI-PURPOSE	
5	RB1-8773-000		1	PAD, SEPARATION	
6	RB1-8779-000		1	SUPPORT, COVER	
7	RB1-8780-000		1	HOLDER, SPRING	
8	RB1-8782-000		2	ROLLER, SUPPORT	
9	RB1-8783-000		1	PLATE, LINK	
10	RB1-8784-000		1	HOLDER, SHAFT	
11	RB1-8785-000		1	SPRING, LEAF	
12	RB1-8787-000		1	LEVER, SENSOR	
13	RB1-8788-020		1	COVER, SENSOR LEVER	
14	RB1-8789-000		1	COVER, SENSOR LEVER	
15	RB2-2386-000		1	COVER, GEAR, ENVELOPE FEEDER	
16	RF5-1870-000		1	PLATE, PAPER LIFT	
17	RF5-1873-000		1	SHAFT, PAPER FEED	
18	RH7-5172-000		1	SOLENOID	SL102, J126
19	RS5-0959-000		1	GEAR, 14T/19T	
21	RS5-1303-020		1	BUSHING	
22	RS5-2636-000		2	SPRING, COMPRESSION	
23	RS5-2637-000		1	SPRING, COMPRESSION	
24	RS5-2638-000		1	SPRING, COMPRESSION	
25	WG8-5362-000		1	IC, TLP1241, PHOTO-INTERRUPTER	PS105, J114
26	RG5-3718-000		1	MP TRAY PICK-UP ROLLER ASS'Y	
26A	RB2-2385-000		1	SNAP, ROLLER	
27	XA9-0605-000		5	SCREW, M4X8	
28	XD9-0136-000		3	RING, E	
29	RB2-2387-000		1	JOINT	
30	RB2-2411-000		1	MOUNT, SPRING	
31	RB2-2389-000		1	PLATE, GROUNDING	
32	RB2-2390-030		1	COVER, ENTRANCE	
33	RB2-2399-000		1	DAMPER	
34	RB2-4121-000		1	DAMPER	
35	RB2-4123-000		1	GUIDE, MULTI-PURPOSE, LEFT	
36	RB2-4124-000		1	GUIDE, MULTI-PURPOSE, RIGHT	
37	RB2-4125-000		1	PLATE, MULTI-PURPOSE	
38	RS6-2146-000		1	SPRING, TENSION	

# FIGURE 315 MULTI-PURPOSE TRAY ASS'Y

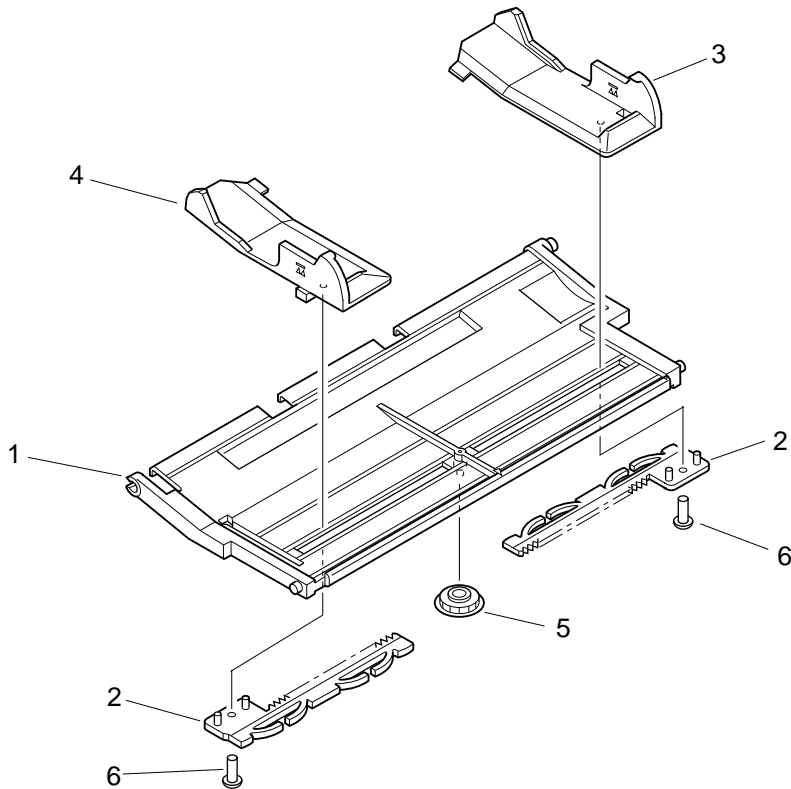


FIGURE & KEY NO.	PART NUMBER	RANK	QTY	DESCRIPTION	SERIAL NUMBER / REMARKS
315 -	RG5-4537-040		1	MULTI-PURPOSE TRAY ASS'Y	
1	RB2-2743-000		1	TRAY, MULTI-PURPOSE	
2	RB1-8767-000		2	RACK	
3	RB2-2744-000		1	PLATE, PAPER GUIDE, RIGHT	
4	RB2-2745-000		1	PLATE, PAPER GUIDE, LEFT	
5	RB1-8781-020		1	GEAR, 16T	
6	XA9-0596-000		2	SCREW, M3X6	
-----					
-----					

# FIGURE 320 PAPER FEED ASS'Y

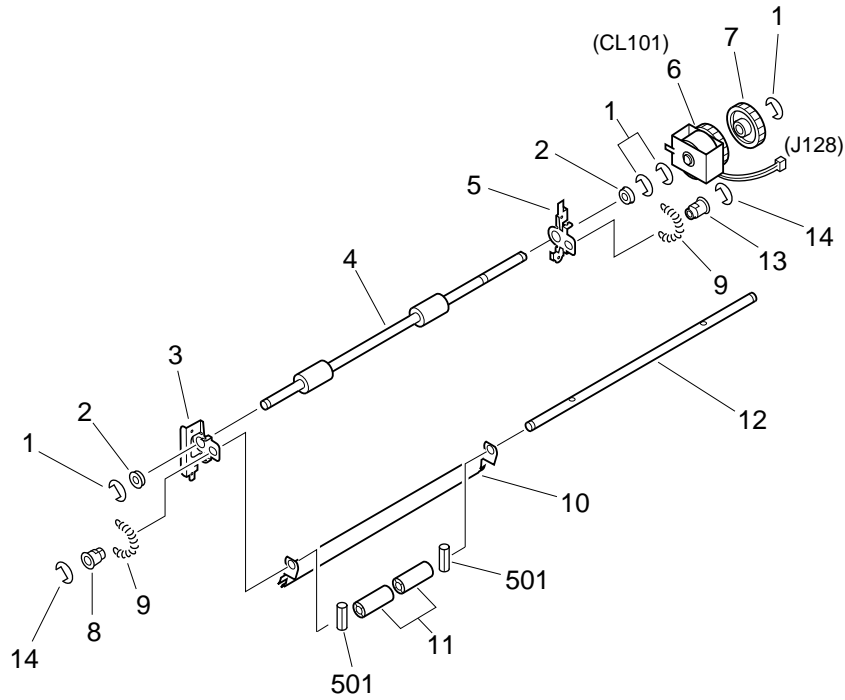


FIGURE & KEY NO.	PART NUMBER	RANK	QTY	DESCRIPTION	SERIAL NUMBER / REMARKS
320 -	RG5-2651-020		1	PAPER FEED ASS'Y	
1	XD9-0137-000		4	RING, E	
2	RS5-1286-020		2	BUSHING	
3	RB1-8735-000		1	PLATE, SHAFT HOLDER, LEFT	
4	RB1-8732-000		1	ROLLER, FEED	
5	RB1-8736-000		1	PLATE, SHAFT HOLDER, RIGHT	
6	RH7-5171-000		1	CLUTCH	CL101, J128
7	RS5-0909-000		1	GEAR, 31T	
8	RS5-1291-000		1	BUSHING	
9	RS5-2627-000		2	SPRING, TENSION	
10	RB1-8745-020		1	GUIDE	
11	RB1-8743-000		2	ROLLER	
12	RB1-8744-000		1	SHAFT, ROLLER	
13	RS5-1292-000		1	BUSHING	
14	XD9-0136-000		2	RING, E	
501	XD3-1160-102		2	PIN, SPRING	

FIGURE 325 REGISTRATION ASS'Y

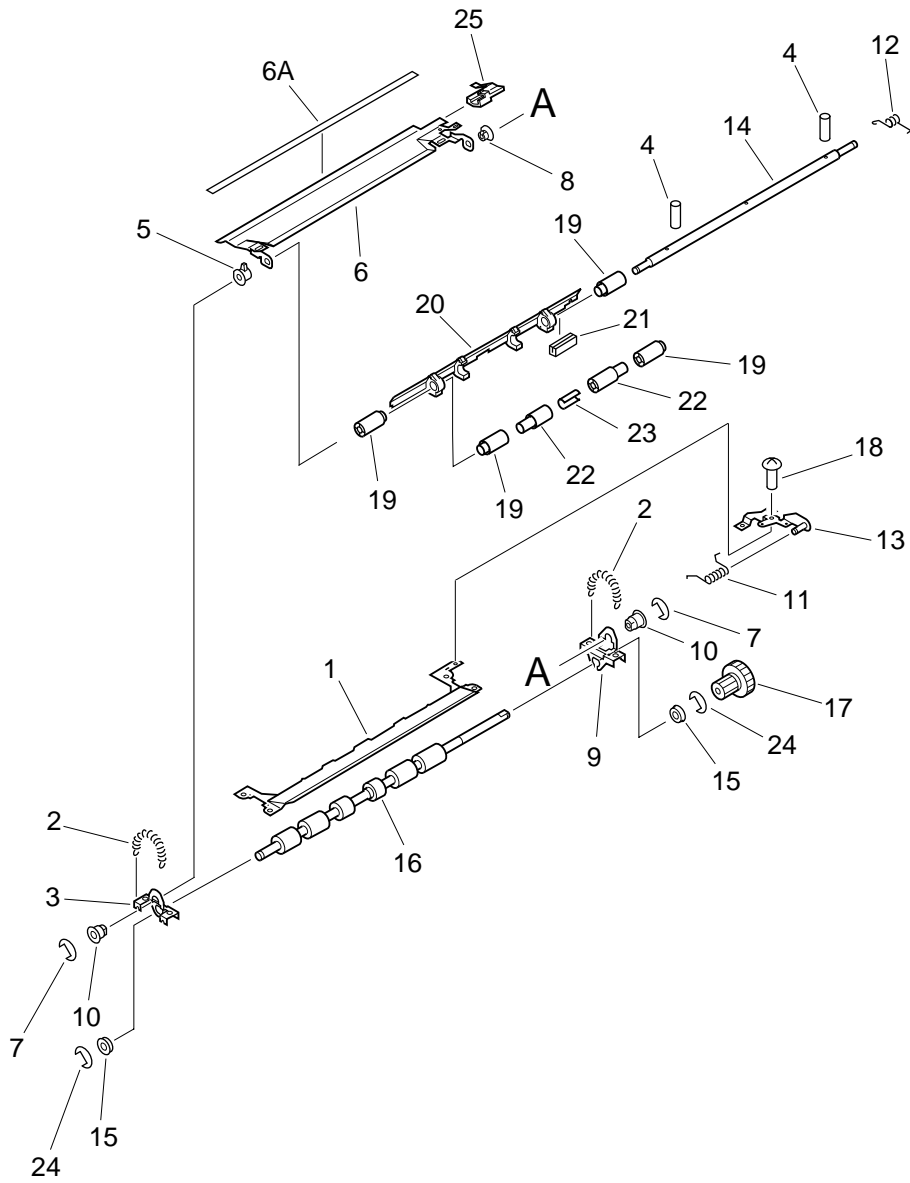


FIGURE & KEY NO.	PART NUMBER	RANK	QTY	DESCRIPTION	SERIAL NUMBER / REMARKS
325 -	RG5-2652-080		1	REGISTRATION ASS'Y	
1	RB1-8739-020		1	GUIDE	
2	RS5-2628-000		2	SPRING, TENSION	
3	RB1-8733-020		1	PLATE, SHAFT HOLDER, LEFT	
4	XD9-0103-000		2	PIN, DOWEL	
5	RB2-2393-000		1	CAM, LIFTER, LEFT	
6	RF5-2661-000		1	GUIDE, TRANSFER, UPPER	
6A	RB2-2414-000		1	SHEET	
7	XD9-0135-000		2	RING, E	
8	RB2-2394-000		1	CAM, LIFTER, RIGHT	
9	RB1-8734-020		1	PLATE, SHAFT HOLDER, RIGHT	
10	RS5-1290-000		2	BUSHING	
11	RB2-2395-000		1	SPRING, TORSION	
12	RB1-8746-030		1	SPRING, TORSION	
13	RF5-2497-000		1	PLATE, GROUNDING	
14	RB1-8737-000		1	SHAFT, ROLLER	
15	RS5-1419-000		2	BUSHING	
16	RB1-8731-000		1	ROLLER, PRE-TRANSFER	
17	RS5-0910-000		1	GEAR, 12T/30T	
18	FA9-1449-000		1	SCREW, TRUSS HEAD, WWASHER	
19	RB1-8742-000		4	ROLLER	
20	RB1-8730-020		1	ARM, REGISTRATION	
21	RB1-8748-000		1	PAD, SAFETY	
22	RB1-8741-000		2	ROLLER	
23	RB1-8740-000		1	ROLLER	
24	XD9-0137-000		2	RING, E	
25	RB2-2396-000		1	ARM, GUIDE, TRANSFER	

# FIGURE 330 PAPER FEED GUIDE ASS'Y

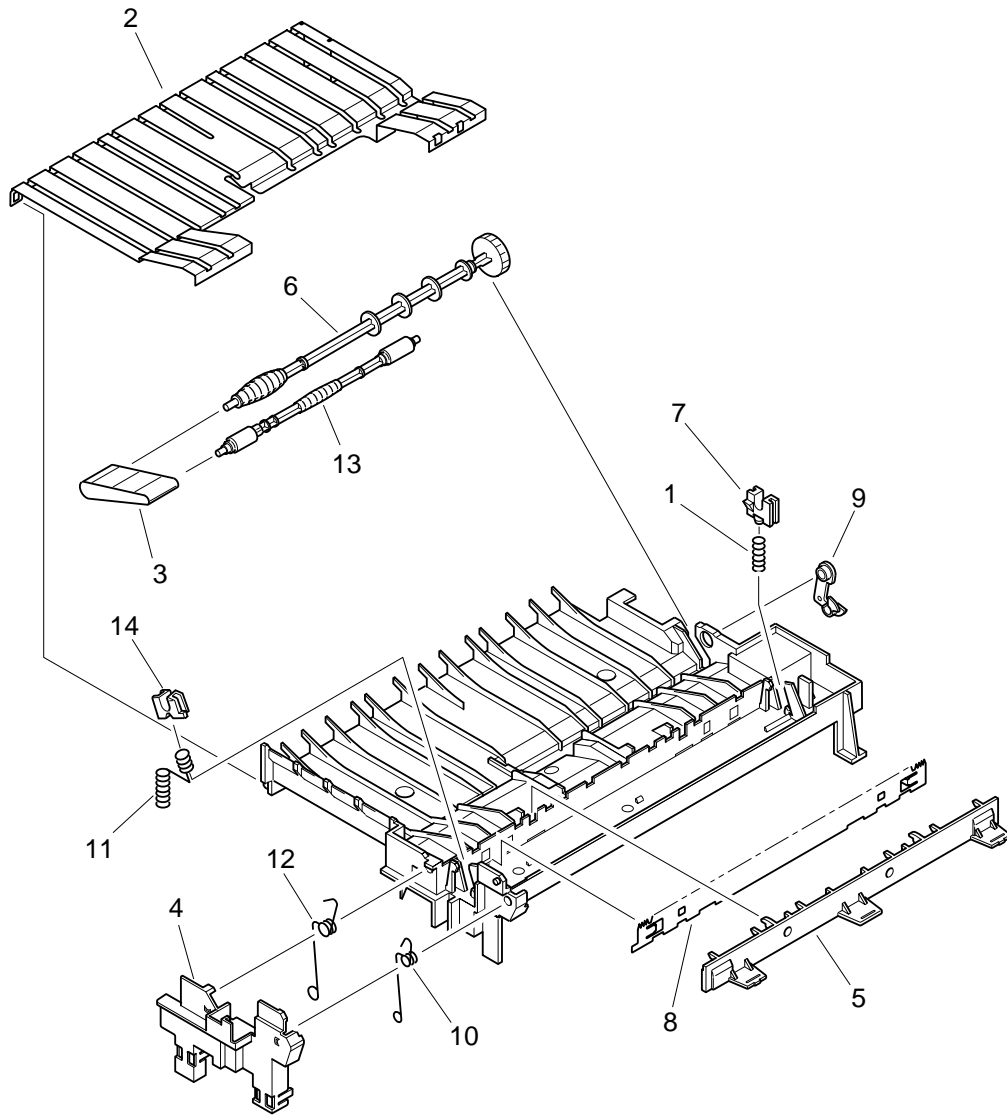


FIGURE & KEY NO.	PART NUMBER	RANK	QTY	DESCRIPTION	SERIAL NUMBER / REMARKS
330 -	RG5-2643-060		1	PAPER FEED GUIDE ASS'Y	
1	RS5-2630-000		1	SPRING, COMPRESSION	
2	RB1-8682-000		1	PLATE, PAPER FEED	
3	RB1-8668-000		1	BELT, PAPER FEED	
4	RB1-8672-000		1	COVER, CONTACT	
5	RB1-8673-000		1	HOLDER,ELIMINATOR,STATIC CHARGE	
6	RB1-8674-000		1	SHAFT, BELT	
7	RB1-8685-000		1	HOLDER, TRANSFER SHAFT	
8	RB1-8686-000		1	ELIMINATOR, STATIC CHARGE	
9	RB1-8692-000		1	JOINT	
10	RB1-8696-000		1	SPRING, TORSION	
11	RB1-8697-000		1	SPRING, COMPRESSION	
12	RB1-8701-000		1	SPRING, TORSION	
13	RF5-2495-030		1	ROLLER, PAPER FEED	
14	RB1-8684-000		1	BUSHING	

FIGURE 370 PAPER DELIVERY ASS'Y

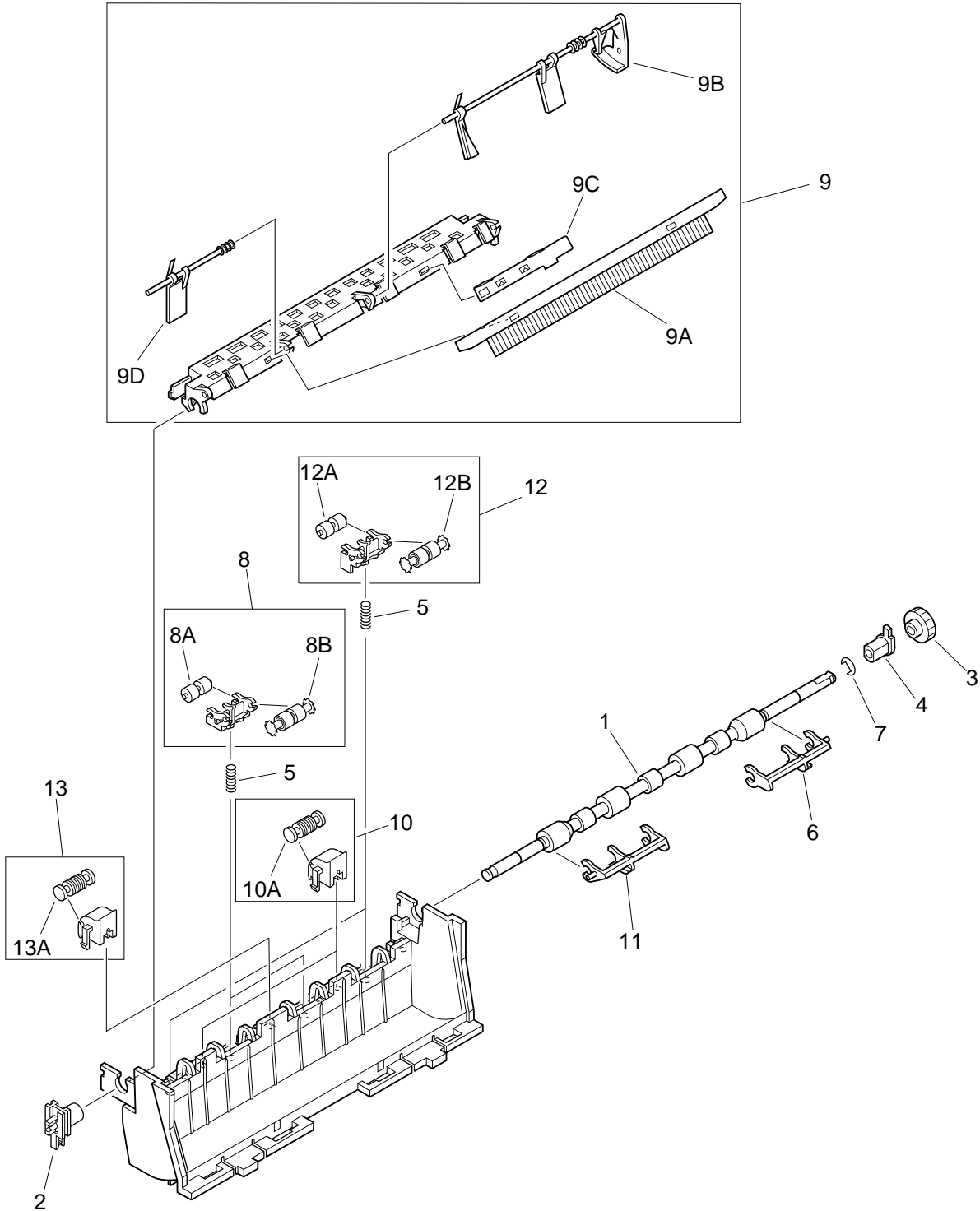
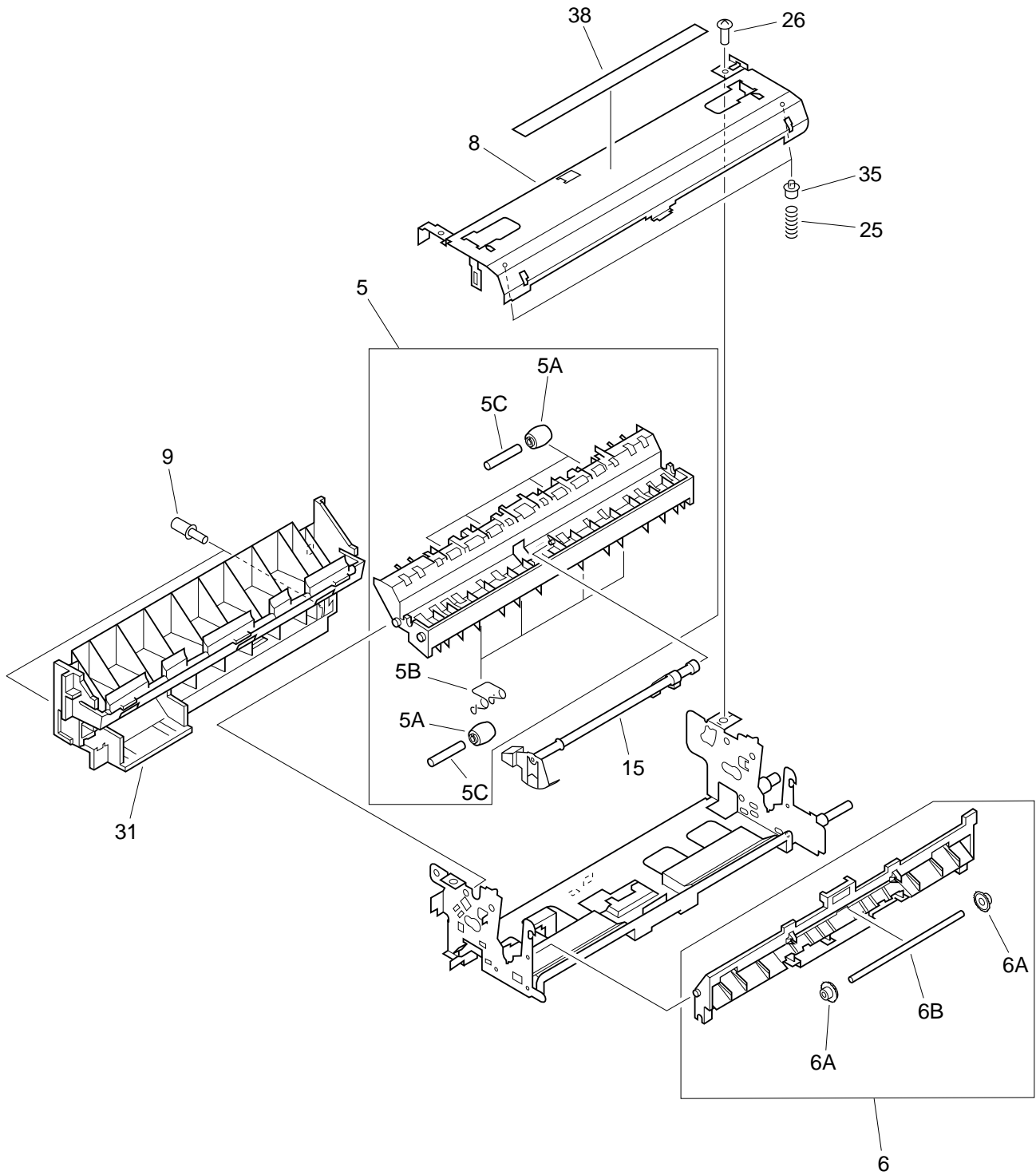




FIGURE & KEY NO.	PART NUMBER	RANK	QTY	DESCRIPTION	SERIAL NUMBER / REMARKS
370 -	RG5-4538-100		1	PAPER DELIVERY ASS'Y	
1	RB1-8720-030		1	ROLLER, DELIVERY	
2	RB1-8721-000		1	BUSHING	
3	RS5-0929-000		1	GEAR, 18T	
4	RS5-1416-000		1	BUSHING	
5	RS5-2639-000		4	SPRING, COMPRESSION	
6	RB2-4628-000		1	LEVER, RIGHT	
7	XD9-0136-000		1	RING, E	
8	RG5-2649-000		2	DELIVERY ROLLER ASS'Y	
8A	RB1-8727-000		1	ROLLER	
8B	RB1-8728-000		1	ROLLER	
9	RG5-2650-000		1	DELIVERY UPPER GUIDE ASS'Y	
9A	RB1-2309-000		1	ELIMINATOR, STATIC CHARGE	
9B	RB1-8723-000		1	LEVER, SENSOR	
9C	RB1-8729-000		1	PLATE, GROUNDING	
9D	RB1-8825-000		1	LEVER	
10	RG5-2705-000		2	MIDDLE DELIVERY ROLLER ASS'Y	
10A	RB1-8828-000		1	ROLLER	
11	RB2-4629-000		1	LEVER, LEFT	
12	RG5-2726-000		2	DELIVERY ROLLER ASS'Y	
12A	RB1-8727-000		1	ROLLER	
12B	RB1-8728-000		1	ROLLER	
13	RG5-5005-000		1	MIDDLE DELIVERY ROLLER ASS'Y 2	
13A	RB2-4626-000		1	ROLLER	

FIGURE 810 FIXING ASS'Y (1/2)



# FIGURE 810 FIXING ASS'Y (2/2)

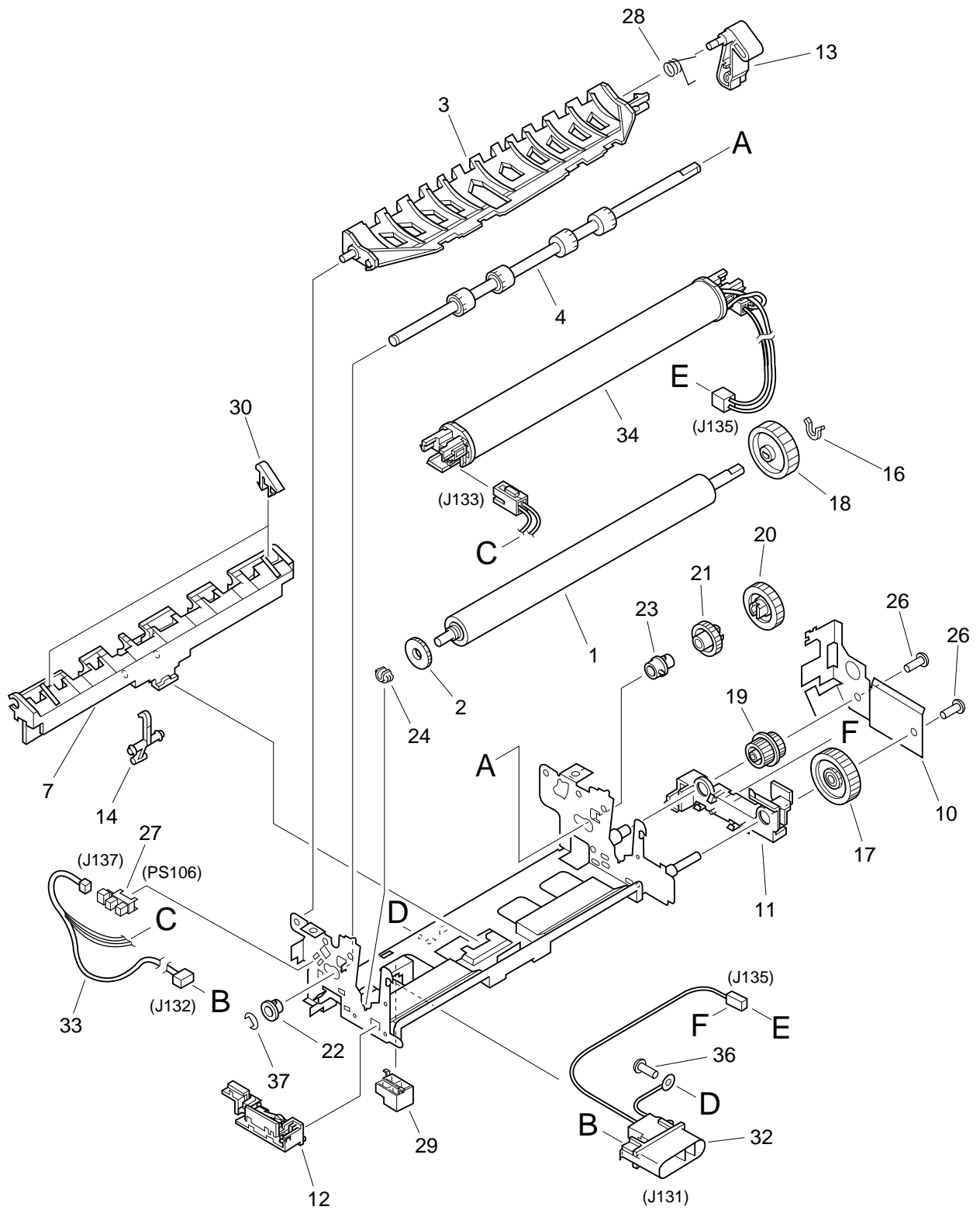


FIGURE & KEY NO.	PART NUMBER	RANK	QTY	DESCRIPTION	SERIAL NUMBER / REMARKS
810 -	RG5-2661-290		1	FIXING ASS'Y	100-127V
	RG5-2662-300		1	FIXING ASS'Y	220-240V
1	RB1-8794-040		1	ROLLER, PRESSURE	
2	RB1-8796-000		1	ROLLER	
3	RB1-8797-030		1	DEFLECTOR	
4	RB1-8798-020		1	ROLLER, DELIVERY, FIXING	
5	RG5-2722-000		1	UPPER PAPER GUIDE ASS'Y	
5A	RB1-8806-000		8	ROLLER, DELIVERY	
5B	RB1-8816-000		4	SPRING, TORSION	
5C	RB1-8824-000		8	PIN, DOWEL	
6	RG5-2721-000		1	ENTRANCE PAPER GUIDE ASS'Y	
6A	RF5-1495-000		2	SPUR	
6B	RB1-8822-000		1	SHAFT, ROLLER	
7	RB1-8801-000		1	GUIDE, PAPER, DELIVERY, LOWER	
8	RB1-8804-020		1	CROSSMEMBER, UPPER	
9	RB1-8819-000		2	SCREW, M4	
10	RB1-8807-000		1	PLATE, SUPPORT	
11	RB1-8808-000		1	GUIDE, AC CABLE	
12	RF5-1874-000		1	GUIDE, DC CABLE	
13	RB1-8811-000		1	CAM, DEFLECTOR	
14	RB1-8812-000		1	LEVER, DELIVERY SENSOR 1	
15	RB1-8813-020		1	LEVER, DELIVERY SENSOR 2	
16	RS5-1310-020		1	BUSHING	
17	RS5-0921-000		1	GEAR, 33T	
18	RS5-0922-000		1	GEAR, 34T	
19	RS5-0923-000		1	GEAR, 16T/18T	
20	RS5-0924-000		1	GEAR, 21T	
21	RS5-0925-000		1	GEAR, 26T	
22	RS5-1295-000		1	BUSHING	
23	RS5-1296-000		1	BUSHING	
24	RS5-1297-000		1	BUSHING	
25	RS5-2635-000		2	SPRING, COMPRESSION	
26	XA9-0326-000		4	SCREW, TP, M3X4	
27	WG8-5382-000		1	IC, TLP1242, PHOTO-INTERRUPTER	PS106, J137
28	RB1-8814-000		1	SPRING, TORSION	
29	RB1-8817-000		1	SPACER, CONNECTOR	
30	RB1-8823-000		2	BLOCK, GUIDE	
31	RB2-2747-000		1	COVER, DELIVERY, FIXING	
32	RG5-3409-000		1	FIXING CABLE	J131, J135
33	RG5-3411-000		1	FIXING DC CABLE	J132, J133, J137
34	RG5-4290-080		1	FIXING FILM ASS'Y	100-127V J135
	RG5-4291-080		1	FIXING FILM ASS'Y	220-240V J135
35	RB1-8810-000		2	SUPPORT, SPRING	
36	XA9-0872-000		1	SCREW, W/WASHER, M3X8	
37	XD9-0136-000		1	RING, E	
38	RS5-8380-000		1	LABEL, "CAUTION"	

# FIGURE 900 PCB ASS'Y LOCATION DIAGRAM

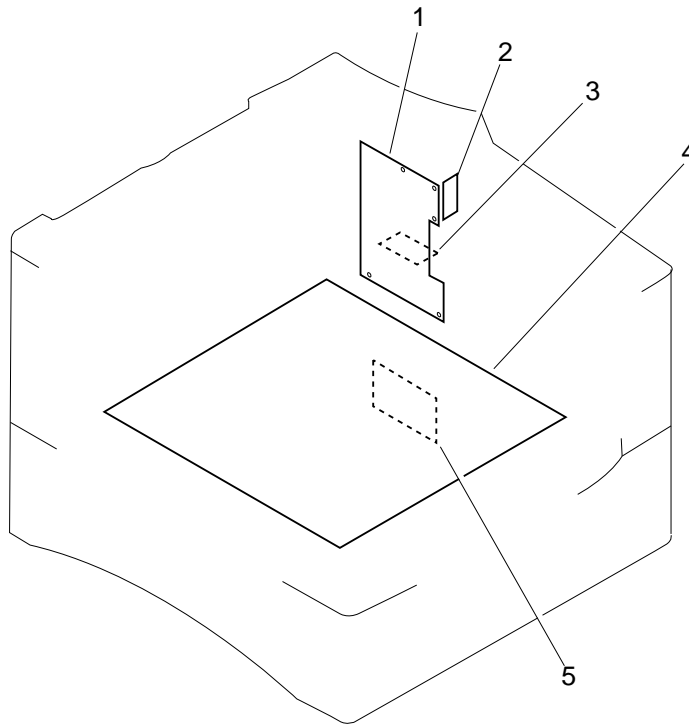


FIGURE & KEY NO.	PART NUMBER	RANK	QTY	DESCRIPTION	SERIAL NUMBER / REMARKS
900 -	NPN		RF	PCB ASS'Y LOCATION DIAGRAM	
1	RG1-4034-000		1	VIDEO CONTROLLER PCB ASS'Y	LBP-1760E
	RG5-4547-000		1	VIDEO CONTROLLER PCB ASS'Y	LBP-1760
2	RG1-3801-000		1	ADAPTER PCB ASS'Y	
3	RG1-4026-000		1	FIRMWARE ROM DIMM PCB ASS'Y	
4	RG5-3693-070		1	ENGINE CONTROLLER PCB ASS'Y	100-127V
	RG5-3694-070		1	ENGINE CONTROLLER PCB ASS'Y	220-240V
5	RG5-2673-000		1	PAPER SIZE DETECTION PCB ASS'Y	
-----					
-----					



# DUPLEX UNIT

DUPLEX UNIT DU-52  
[ R73-5004 ]







# FIGURE D10 INTERNAL COMPONENTS 1

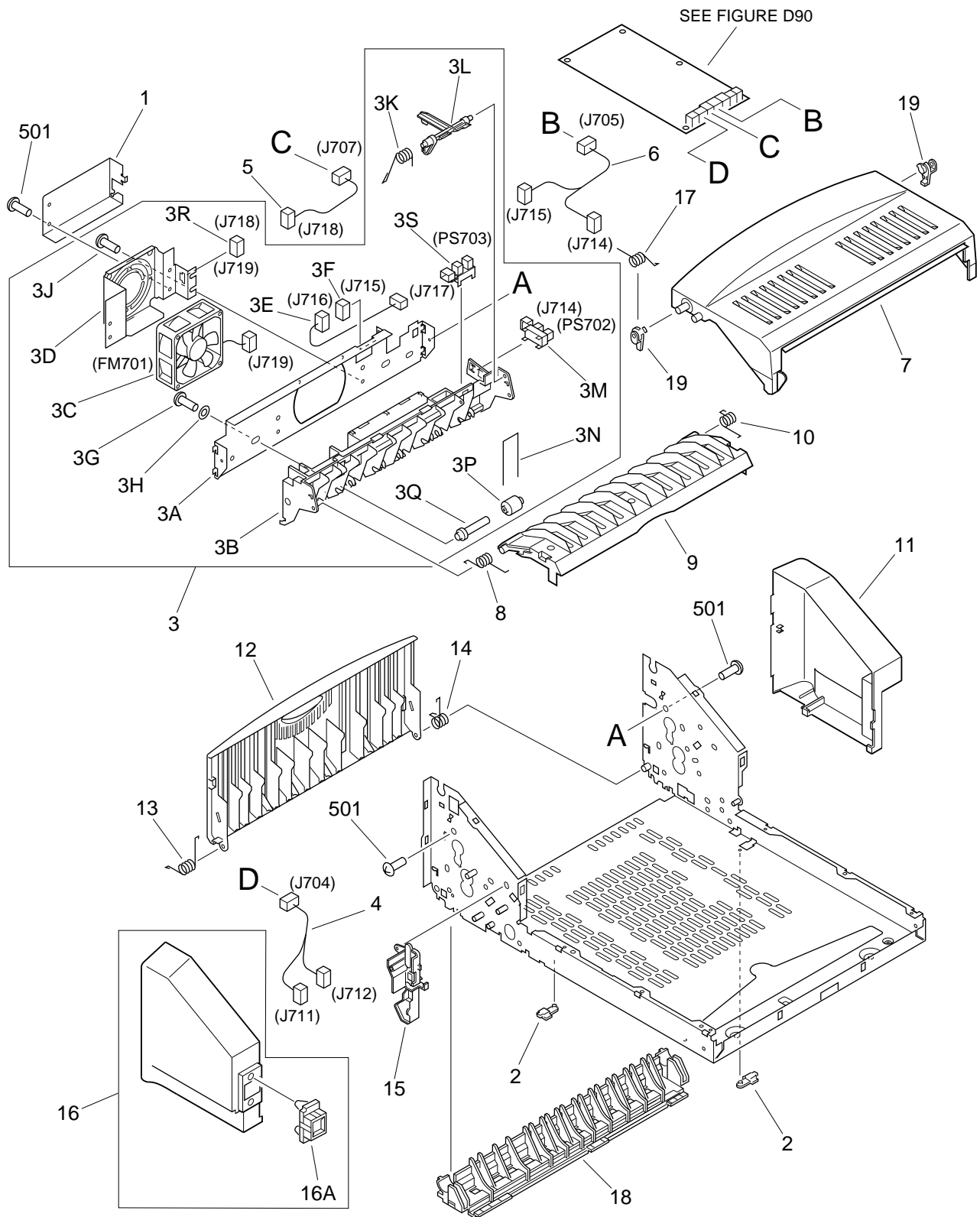


FIGURE & KEY NO.	PART NUMBER	RANK	QTY	DESCRIPTION	SERIAL NUMBER / REMARKS
D10 -	NPN		RF	INTERNAL COMPONENTS 1	
1	RB1-9071-000	1	1	COVER, CONNECTOR	
2	RB1-9054-000	2	2	CHIP, CLICK	
3	RG5-2719-000	1	1	FAN ASS'Y	
3A	RB1-9069-000	1	1	CROSSMEMBER	
3B	RB1-9040-000	1	1	GUIDE, SENSOR HOLDER	
3C	RH7-1361-000	1	1	FAN	FM701, J719
3D	RB1-9070-000	1	1	SHIELD, FAN	
3E	RG5-3834-000	1	1	REVERSE SENSOR CABLE	J716, J717
3F	VS1-5057-004	1	1	CONNECTOR, 4P	J715, J716
3G	XA9-0935-000		2	SCREW, TP, M4X6	
3H	XD1-0168-000		2	WASHER, WAVE	
3J	XB6-7300-607		2	SCREW, TP, M3X6	
3K	RB1-9065-000		1	SPRING, TORSION	
3L	RB1-9049-000		1	LEVER, REVERSE SENSOR	
3M	WG8-5362-000		1	IC, TLP1241, PHOTO-INTERRUPTER	PS702, J714
3N	RB1-9062-000		4	RETAINER, ROLLER	
3P	RB1-9055-000		4	ROLLER	
3Q	RB1-9082-000		2	SHAFT, ROLLER	
3R	VS1-5352-003		1	CONNECTOR, 3P	J718, J719
3S	WG8-5362-000		1	IC, TLP1241, PHOTO-INTERRUPTER	PS703, J717
4	RG5-3837-000		1	DUPLEX CONNECTION CABLE	J704, J711, J712
5	RG5-3835-000		1	FAN MOTOR CABLE	J707, J718
6	RG5-3833-000		1	REVERSE/FACE-UP SENSOR CABLE	J705, J714, J715
7	RB2-3838-000		1	COVER, TOP	
8	RB1-9081-000		1	SPRING, TORSION	
9	RB1-9039-000		1	GUIDE, REVERSE, UPPER	
10	RB1-9075-000		1	SPRING, TORSION	
11	RB2-3841-000		1	COVER, RIGHT	
12	RB2-3839-000		1	PANEL, REAR	
13	RB1-9066-000		1	SPRING, TORSION	
14	RB1-9068-000		1	SPRING, TORSION	
15	RB1-9080-000		1	GUIDE, CABLE	
16	RF5-2801-000		1	COVER, LEFT	
16A	VS1-6175-006		1	CONNECTOR, 6P	
17	RB1-9061-000		1	SPRING, TORSION	
18	RB2-3842-000		1	GUIDE, DELIVERY	
19	RB1-9076-000		2	BUSHING, TOP COVER	
501	XB6-7300-607		3	SCREW, TP, M3X6	

# FIGURE D11 INTERNAL COMPONENTS 2

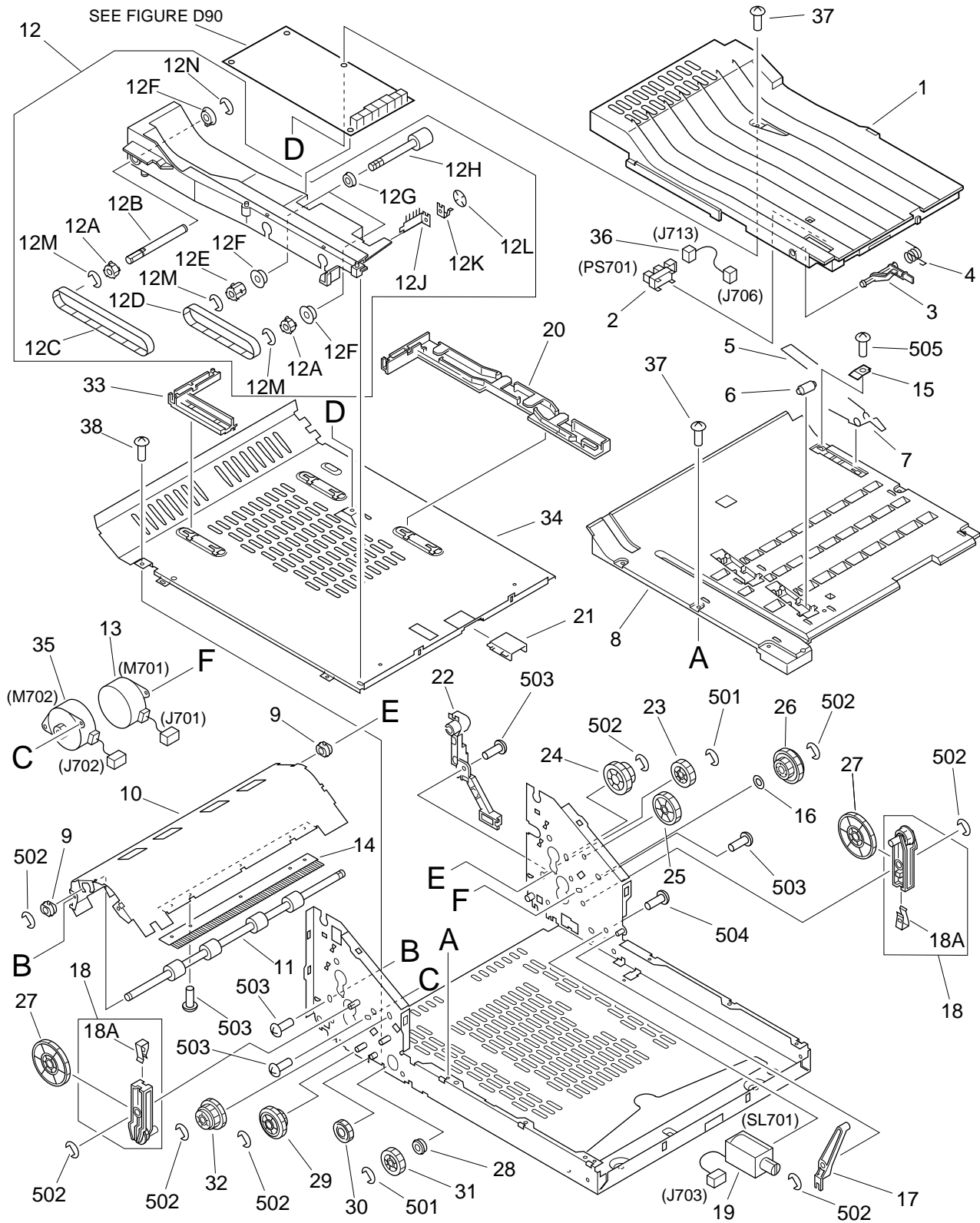


FIGURE & KEY NO.	PART NUMBER	RANK	QTY	DESCRIPTION	SERIAL NUMBER / REMARKS
D11 -	NPN		RF	INTERNAL COMPONENTS 2	
1	RB1-9036-000	1	1	GUIDE, PAPER FEED, LOWER	PS701, J713
2	WG8-5362-000	1	1	IC, TLP1241, PHOTO-INTERRUPTER	
3	RB1-9048-000	1	1	LEVER, SENSOR	
4	RB1-9064-000	1	1	SPRING, TORSION	
5	RB1-9063-000	2	2	RETAINER, ROLLER	
6	RB1-9056-000	2	2	ROLLER	
7	RB1-9052-000	1	1	SPRING, TORSION	
8	RB1-9037-000	1	1	GUIDE, PAPER FEED, UPPER	
9	RS5-1304-000	2	2	BUSHING	
10	RB1-9041-000	1	1	GUIDE, REVERSE, LOWER	M701, J701
11	RB1-9038-000	1	1	ROLLER	
12	RG5-2718-000	1	1	SIDE REGISTRATION GUIDE ASS'Y	
12A	RS5-3133-000	2	2	PULLEY, 14T	
12B	RB1-9060-000	1	1	SHAFT, DRIVE	
12C	XF9-0640-000	1	1	BELT, TIMING	
12D	XF9-0639-000	1	1	BELT, TIMING	
12E	RS5-3134-000	1	1	PULLEY, 14T/14T	
12F	RB1-8239-020	3	3	BUSHING	
12G	RS5-1298-000	2	2	BUSHING	
12H	RF5-1879-000	2	2	ROLLER, PAPER FEED	
12J	RB1-9078-000	1	1	BRUSH,STATIC CHARGE ELIMINATOR	
12K	RB1-9079-000	1	1	PLATE, GROUNDING	
12L	XA9-0134-000	1	1	NUT, PUSH	
12M	XD2-1100-322	3	3	RING, E	
12N	XD2-1100-502	1	1	RING, E	
13	RH7-1366-000	1	1	MOTOR, STEPPING, DC24V	SL701, J703
14	RB1-9084-000	1	1	STATIC CHARGE ELIMINATOR	
15	RB2-3659-000	1	1	PLATE, GROUNDING	
16	RS5-6239-000	1	1	WASHER, WAVE	
17	RB1-9051-000	1	1	LEVER, FACE-UP	
18	RF5-1883-000	2	2	ARM, SWING	
18A	RB1-9067-000	1	1	SPRING, LEAF	
19	RH7-5199-000	1	1	SOLENOID	
20	RB1-9072-000	1	1	GUIDE, PCB, RIGHT	
21	RB1-9074-000	1	1	GUARD, EDGE	
22	RB1-9050-000	1	1	HOLDER, CABLE	
23	RS5-0949-000	1	1	GEAR, 24T	
24	RS5-0950-000	1	1	GEAR, 30T/35T	
25	RS5-0951-000	1	1	GEAR, 31T	
26	RS5-0952-000	1	1	GEAR, 20T/49T	M702, J702
27	RS5-0958-000	2	2	GEAR, 69T	
28	RS5-1300-000	1	1	BUSHING	
29	RS5-0955-000	1	1	GEAR, 15T/45T	
30	RS5-0954-000	1	1	GEAR, 21T	
31	RS5-0953-000	1	1	GEAR, 28T	
32	RS5-0956-000	1	1	GEAR, 31T/31T	
33	RB1-9073-000	1	1	GUIDE, PCB, LEFT	
34	RB1-9042-000	1	1	MOUNT, GUIDE	
35	RH7-1360-000	1	1	MOTOR, STEPPING, DC24V	

FIGURE & KEY NO.		PART NUMBER	RANK	QTY	DESCRIPTION	SERIAL NUMBER / REMARKS
D11 -	36	RG5-3836-000		1	DUPLEX PICK-UP SENSOR CABLE	J706, J713
	37	XA9-0547-000		6	SCREW, TP, M3X6	
	38	XA9-0957-000		3	SCREW, TP, M3X4	
	501	XD2-1100-322		2	RING, E	
	502	XD2-1100-502		8	RING, E	
	503	XB6-7300-607		11	SCREW, TP, M3X6	
	504	XB1-2300-407		2	SCREW, MACH., TRUSS HEAD, M3X4	
	505	XB2-6300-807		1	SCREW, W/WASHER, M3X8	
-----						
-----						
-----						
-----						
-----						
-----						
-----						

# FIGURE D90 PCB ASS'Y LOCATION DIAGRAM

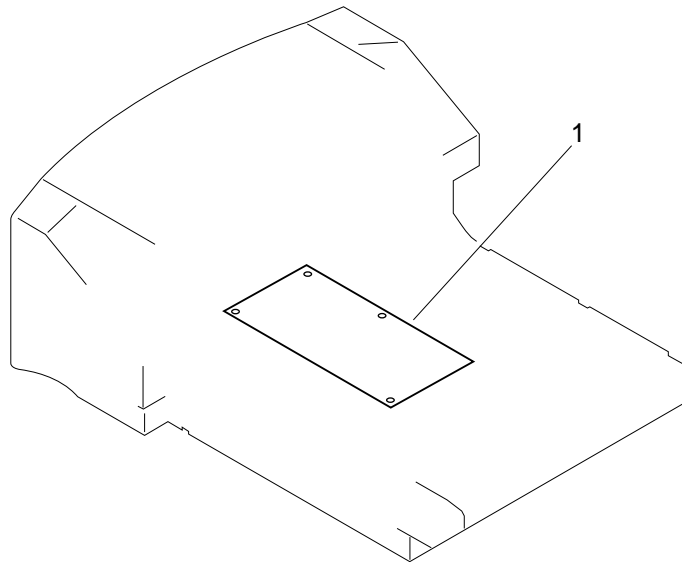


FIGURE & KEY NO.	PART NUMBER	RANK	QTY	DESCRIPTION	SERIAL NUMBER / REMARKS
D90 - 1	NPN RG5-3832-000		RF 1	PCB ASS'Y LOCATION DIAGRAM DUPLEX DRIVER PCB ASS'Y	





# ENVELOPE FEEDER

ENVELOPE FEEDER EF-52  
[ R73-5005 ]





# FIGURE F10 EXTERNAL COVERS, PANELS, ETC.

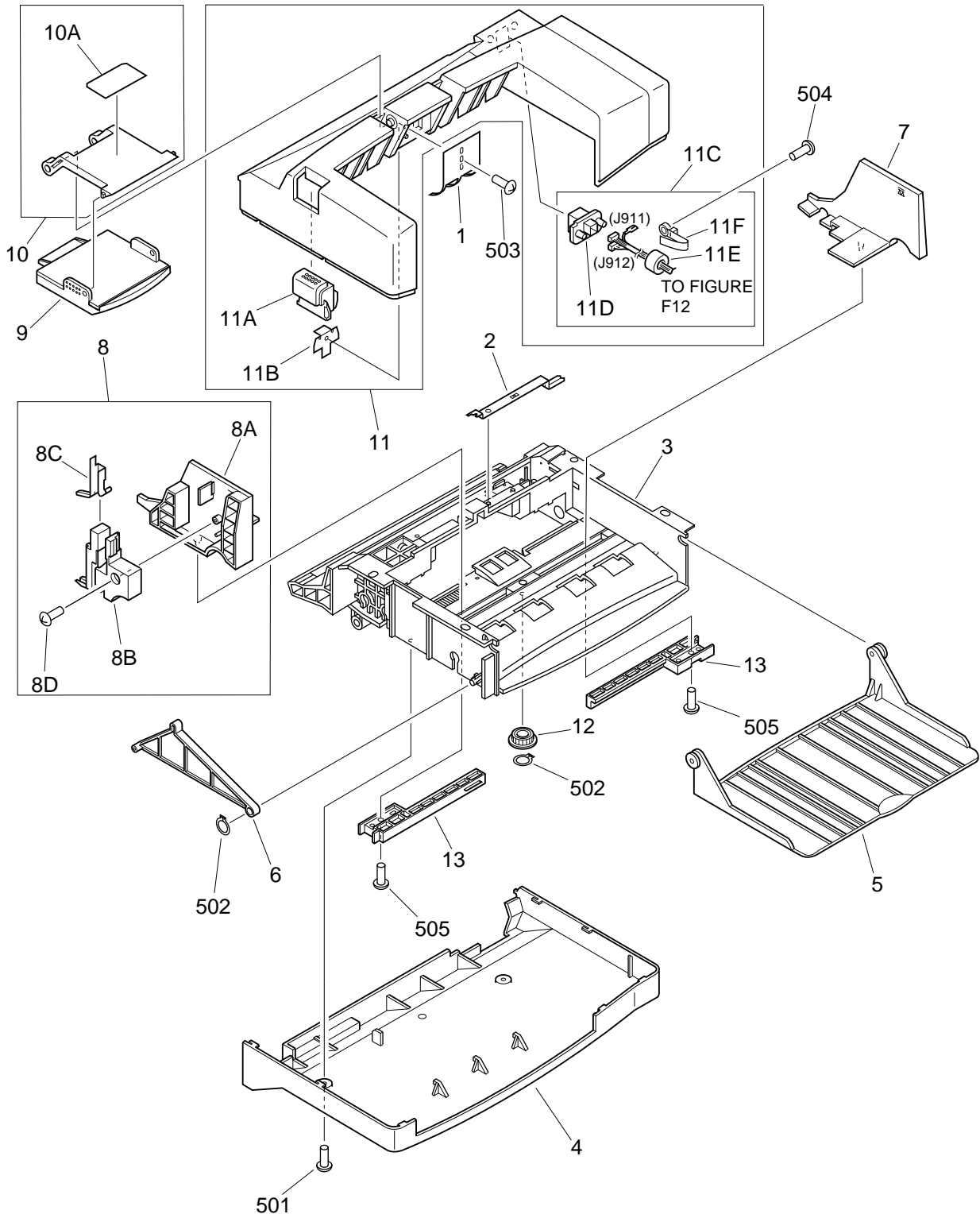


FIGURE & KEY NO.	PART NUMBER	RANK	QTY	DESCRIPTION	SERIAL NUMBER / REMARKS
F10 -	NPN		RF	EXTERNAL COVERS, PANELS, ETC	
1	RA2-1575-020		1	PLATE, SEPARATION GUIDE	
2	RB1-9117-000		1	PLATE, GROUNDING	
3	RB2-3827-000	N	1	FRAME	
4	RB2-3830-000		1	COVER, LOWER	
5	RB2-3834-000		1	TRAY, EXTENSION	
6	RB1-9119-000		1	LEVER, LOCK	
7	RB2-3837-000		1	PLATE, SIDE GUIDE, RIGHT	
8	RG5-4553-000		1	LEFT SIDE GUIDE PLATE ASS'Y	
8A	RB2-3835-000		1	PLATE, SIDE GUIDE, LEFT	
8B	RB2-3836-000		1	LEVER, RELEASE	
8C	RB1-9121-000		1	PLATE, SUPPORT	
8D	XB4-7400-806		1	SCREW,TAPPING,TRUSS HEAD,M4X8	
9	RF5-2799-000		1	WEIGHT	
10	RF5-2800-000		1	ARM, WEIGHT	
10A	RS6-8154-000		1	LABEL, "TRAY"	
11	RG5-4551-000		1	TOP COVER ASS'Y	
11A	RB2-3829-000		1	BUTTON, LOCK	
11B	RB1-9118-000		1	PLATE, GUIDE	
11C	RG5-3831-000		1	ENVELOPE FEEDER CABLE	J901, J911, J912
11D	VS1-6174-006		1	CONNECTOR, 6P	
11E	WE8-5107-000		1	FERRITE CORE	
11F	WT2-5077-000		1	TIE, CABLE	
12	RS5-0973-000		1	GEAR, 16T	
13	RB1-9122-000		2	RACK	
501	XB4-7400-807		5	SCREW,TAPPING,TRUSS HEAD,M4X8	
502	XD2-2100-402		2	RING, GRIP	
503	XB6-7300-807		1	SCREW, TP, M3X8	
504	XB4-7301-009		1	SCREW,TAPPING,TRUSS HEAD,M3X10	
505	XB4-7300-807		2	SCREW,TAPPING,TRUSS HEAD,M3X8	

# FIGURE F11 INTERNAL COMPONENTS 1

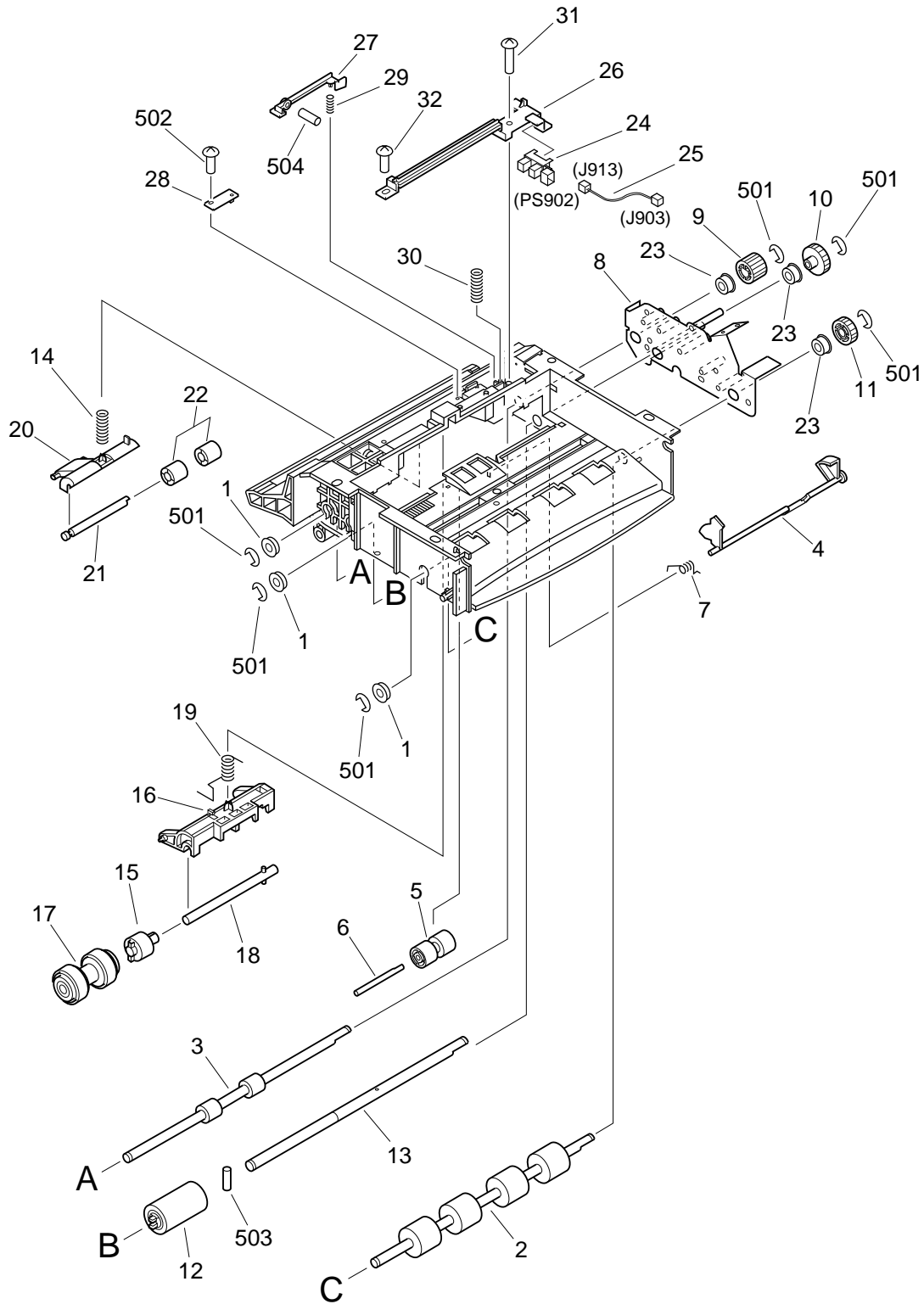


FIGURE & KEY NO.	PART NUMBER	RANK	QTY	DESCRIPTION	SERIAL NUMBER / REMARKS
F11 -	NPN		RF	INTERNAL COMPONENTS 1	
1	RS5-1075-000		3	BUSHING	
2	RB1-9100-000		1	ROLLER, PICK-UP	
3	RB1-9101-000		1	ROLLER, PAPER FEED	
4	RB1-9115-000		1	ARM, PAPER SENSOR	
5	RB1-9123-000		1	ROLLER	
6	RB1-9124-000		1	SHAFT, ROLLER	
7	RB2-2407-000		1	SPRING, TORSION	
8	RF5-2510-000	N	1	PLATE, DRIVE	
9	RS5-0962-000		1	GEAR, 16T	
10	RS5-0968-000		1	GEAR, 22T	
11	RS5-0971-000		1	GEAR, 22T	
12	RF5-2513-000		1	ROLLER, PAPER FEED	
13	RB1-9105-000		1	SHAFT, PAPER FEED	
14	RS5-2654-000		1	SPRING, COMPRESSION	
15	RA2-1582-030		1	LIMITER, TORQUE	
16	RB1-9108-000		1	HOLDER, SEPARATION	
17	RF1-3548-000		1	ROLLER, SEPARATION	
18	RF5-2639-000		1	SHAFT, SEPARATION	
19	RS5-2655-000		1	SPRING, COMPRESSION	
20	RB1-9102-000		1	HOLDER	
21	RB1-9103-000		1	SHAFT	
22	RB1-9104-000		2	ROLLER	
23	RS1-1053-000		3	BUSHING	
24	WG8-5375-000		1	IC, EE-SX1235A-P1, PHOTO INT.	PS902, J913
25	RG5-4299-000		1	SENSOR CABLE	J903, J913
26	RB2-3491-000		1	HOLDER, SENSOR	
27	RB2-3492-000		1	LEVER, SENSOR	
28	RB2-3493-000		1	PLATE, SUPPORT	
29	RS6-2066-000		1	SPRING, COMPRESSION	
30	RS6-2067-000		1	SPRING, COMPRESSION	
31	XA9-0969-000		1	SCREW, M3X25	
32	XA9-0466-000		1	SCREW, TP, M3X8	
501	XD2-1100-402		6	RING, E	
502	XB4-7300-809		1	SCREW, TAPPING, TRUSS HEAD, M3X8	
503	XD3-2200-122		1	PIN, DOWEL	
504	XD3-2300-102		1	PIN, DOWEL	

# FIGURE F12 INTERNAL COMPONENTS 2

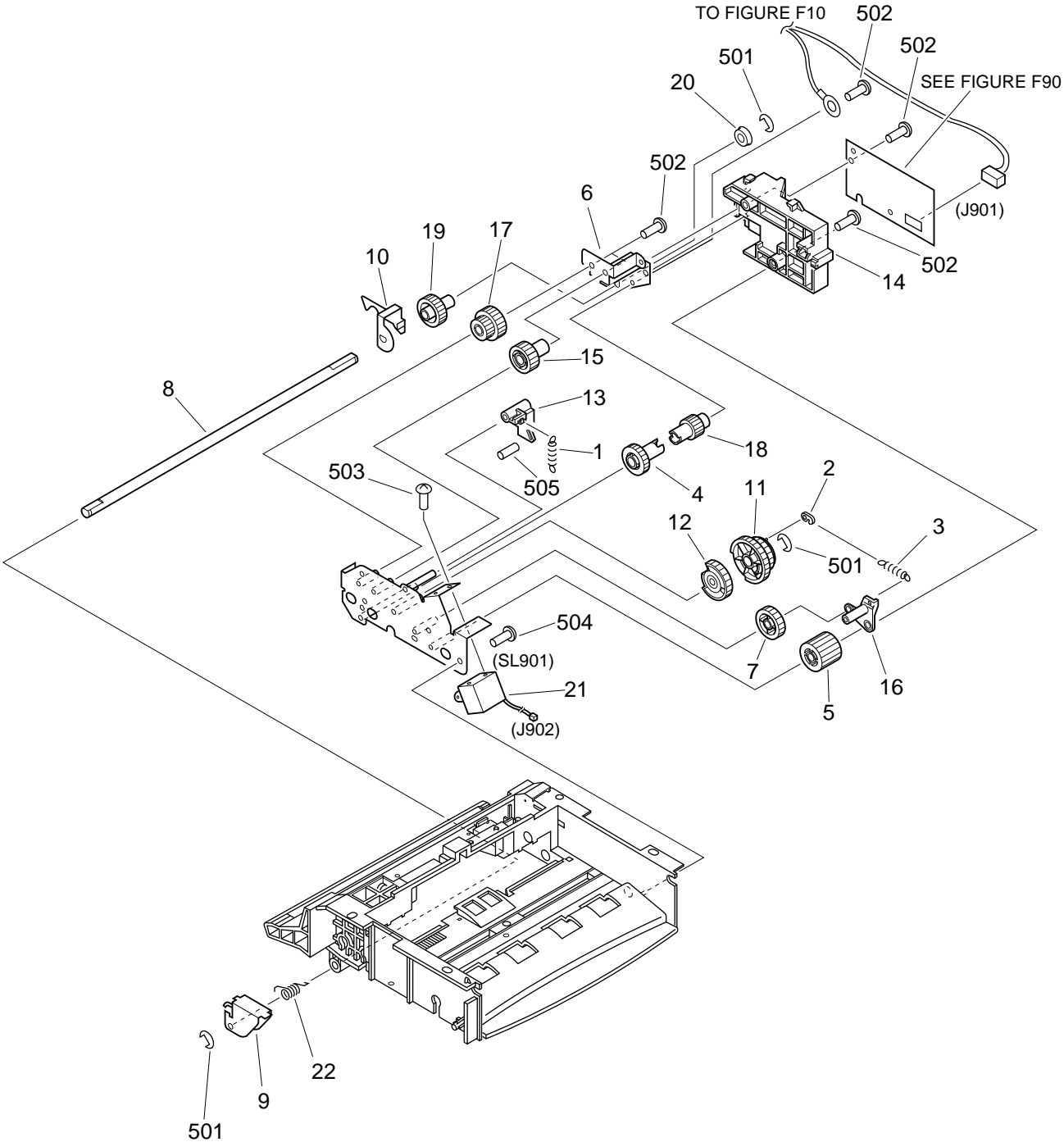




FIGURE & KEY NO.	PART NUMBER	RANK	QTY	DESCRIPTION	SERIAL NUMBER / REMARKS
F12 -	NPN		RF	INTERNAL COMPONENTS 2	
1	RS5-2657-000		1	SPRING, TENSION	
2	RB1-2190-000		1	COLLAR, SPRING	
3	RS5-2656-000		1	SPRING, TENSION	
4	RS5-0974-000		1	GEAR, 20T	
5	RS5-0970-000		1	GEAR, 24T	
6	RB1-9090-000		1	PLATE, DRIVE	
7	RS5-0969-000		1	GEAR, 27T	
8	RB1-9096-000		1	SHAFT, LOCK ARM	
9	RB1-9097-000		1	ARM, LOCK, LEFT	
10	RB1-9098-000		1	ARM, LOCK, RIGHT	
11	RS5-0966-000		1	GEAR, 18T/27T	
12	RS5-0965-000		1	GEAR, 26T	
13	RB1-9112-000		1	CLAW	
14	RB1-9114-000		1	HOLDER, PCB	
15	RS5-0964-000		1	GEAR, 21T	
16	RB1-9116-000		1	HOLDER, SPRING	
17	RS5-0963-000		1	GEAR, 15T/24T	
18	RS5-0961-000		1	GEAR, 15T	
19	RS5-0960-000		1	GEAR, 20T	
20	RS1-1053-000		1	BUSHING	
21	RH7-5198-000		1	SOLENOID	SL901, J902
22	RB2-2406-000		1	SPRING, TORSION	
501	XD2-1100-402		3	RING, E	
502	XB6-7300-607		5	SCREW, TP, M3X6	
503	XB6-7300-407		2	SCREW, TP, M3X4	
504	XB4-7400-807		3	SCREW, TAPPING, TRUSS HEAD, M4X8	
505	XD3-1300-802		1	PIN, SPRING	

# FIGURE F90 PCB ASS'Y LOCATION DIAGRAM

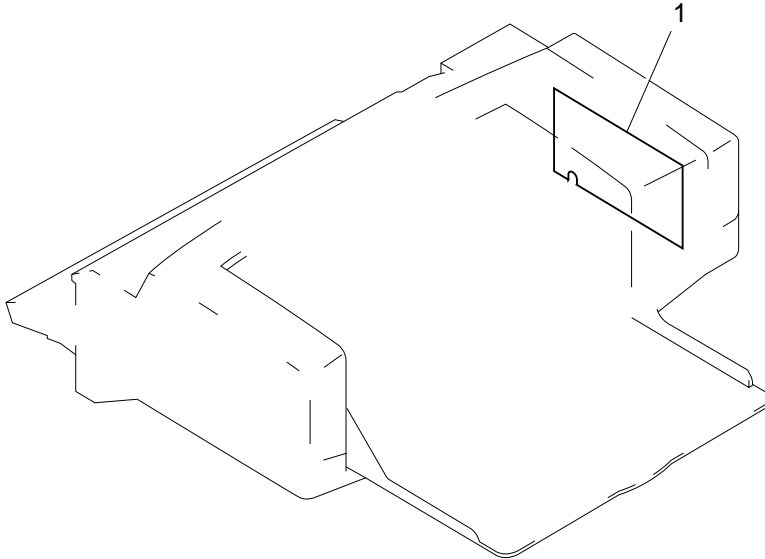


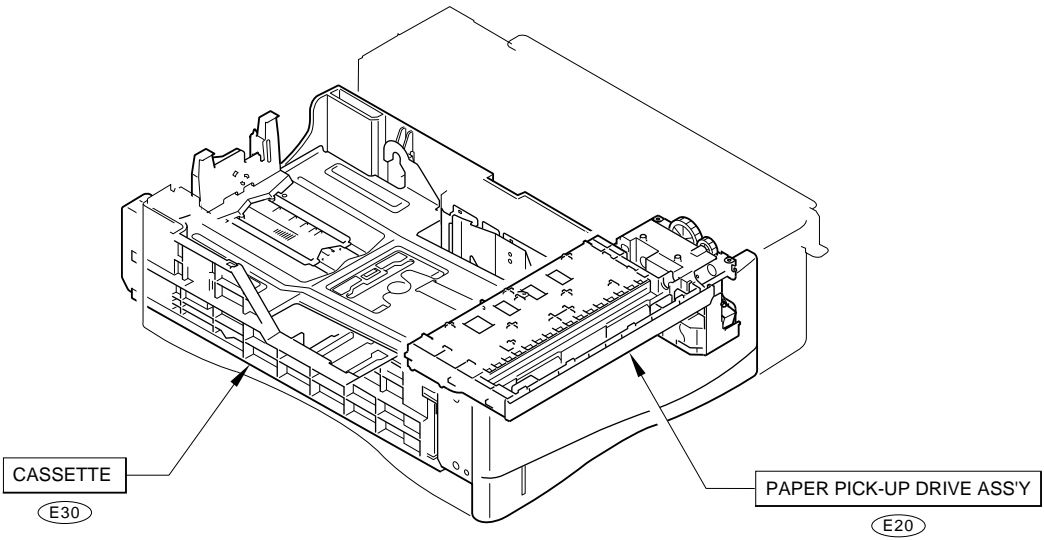
FIGURE & KEY NO.	PART NUMBER	RANK	QTY	DESCRIPTION	SERIAL NUMBER / REMARKS
F90 - 1	NPN RG5-3830-000		RF 1	PCB ASS'Y LOCATION DIAGRAM ENVELOPE FEEDER PCB ASS'Y	

# PAPER FEEDER

PAPER FEEDER PF-52  
[ R73-5006 ]



# FIGURE EA ASSEMBLY LOCATION DIAGRAM



# FIGURE E11 INTERNAL COMPONENTS

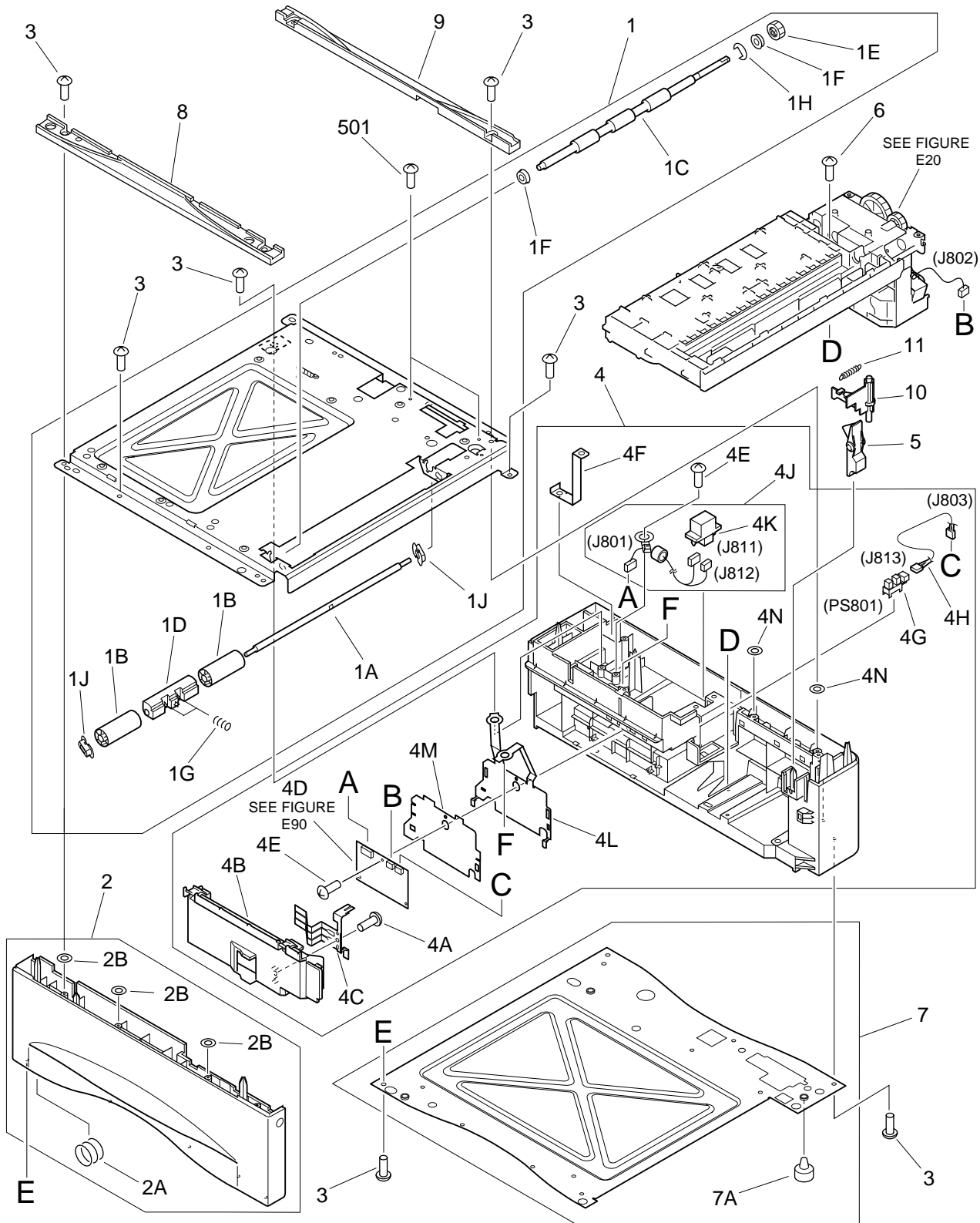


FIGURE & KEY NO.	PART NUMBER	RANK	QTY	DESCRIPTION	SERIAL NUMBER / REMARKS
E11 -	NPN		RF	INTERNAL COMPONENTS	
1	RG5-2689-000		1	UPPER FRAME ASS'Y	
1A	RB1-8921-000		1	SHAFT	
1B	RB1-8922-000		2	ROLLER	
1C	RB1-8923-000		1	ROLLER, PAPER FEED	
1D	RB1-8926-000		1	BUSHING	
1E	RS5-0946-000		1	GEAR, 14T	
1F	RS5-1309-000		2	BUSHING	
1G	RS5-2653-000		2	SPRING, COMPRESSION	
1H	XD2-1100-502		1	RING, E	
1J	RB1-8934-000		2	BUSHING	
2	RG5-4669-000		1	LEFT FRAME ASS'Y	
2A	RS5-2652-000		1	SPRING, COMPRESSION	
2B	RL6-0002-000		3	WASHER	
3	FA9-2753-000		19	SCREW, M4X10	
4	RG5-4668-000		1	RIGHT FRAME ASS'Y	
4A	XA9-0915-000		1	SCREW, M3X6	
4B	RB1-8886-020		1	COVER, PCB	
4C	RB1-8887-000		1	SPRING, LEAF	
4D	RG5-3821-000		1	PAPER FEEDER DRIVER PCB ASS'Y	SEE FIGURE E90
4E	FA9-2753-000		2	SCREW, M4X10	
4F	RB1-9397-000		1	PLATE, GROUNDING, 1	
4G	WG8-5362-000		1	IC, TLP1241, PHOTO-INTERRUPTER	PS801, J813
4H	RG5-3711-000		1	PAPER SENSOR CABLE	J803, J813
4J	RG5-3822-000		1	PAPER FEEDER CABLE	J801, J811, J812
4K	VS1-6175-006		1	CONNECTOR, 6P	J811, J812
4L	RB2-3733-000		1	PLATE, GROUNDING, 2	
4M	RB2-3734-000		1	SHEET, INSULATING	
4N	RL6-0002-000		2	WASHER	
5	RB2-3497-000		1	LEVER, RELEASE	
6	XA9-0917-000		1	SCREW, M3X16	
7	RG5-2670-000		1	LOWER FRAME ASS'Y	
7A	RB1-8107-000		3	FOOT	
8	RB2-2756-000		1	COVER, GRIP, FRONT	
9	RB2-2757-000		1	COVER, GRIP, REAR	
10	RB2-2412-000		1	LEVER, 1	
11	RS5-2658-000		1	SPRING, TENSION	
501	XB5-2300-609		2	SCREW, CT, M3X6	

# FIGURE E20 PAPER PICK-UP DRIVE ASS'Y

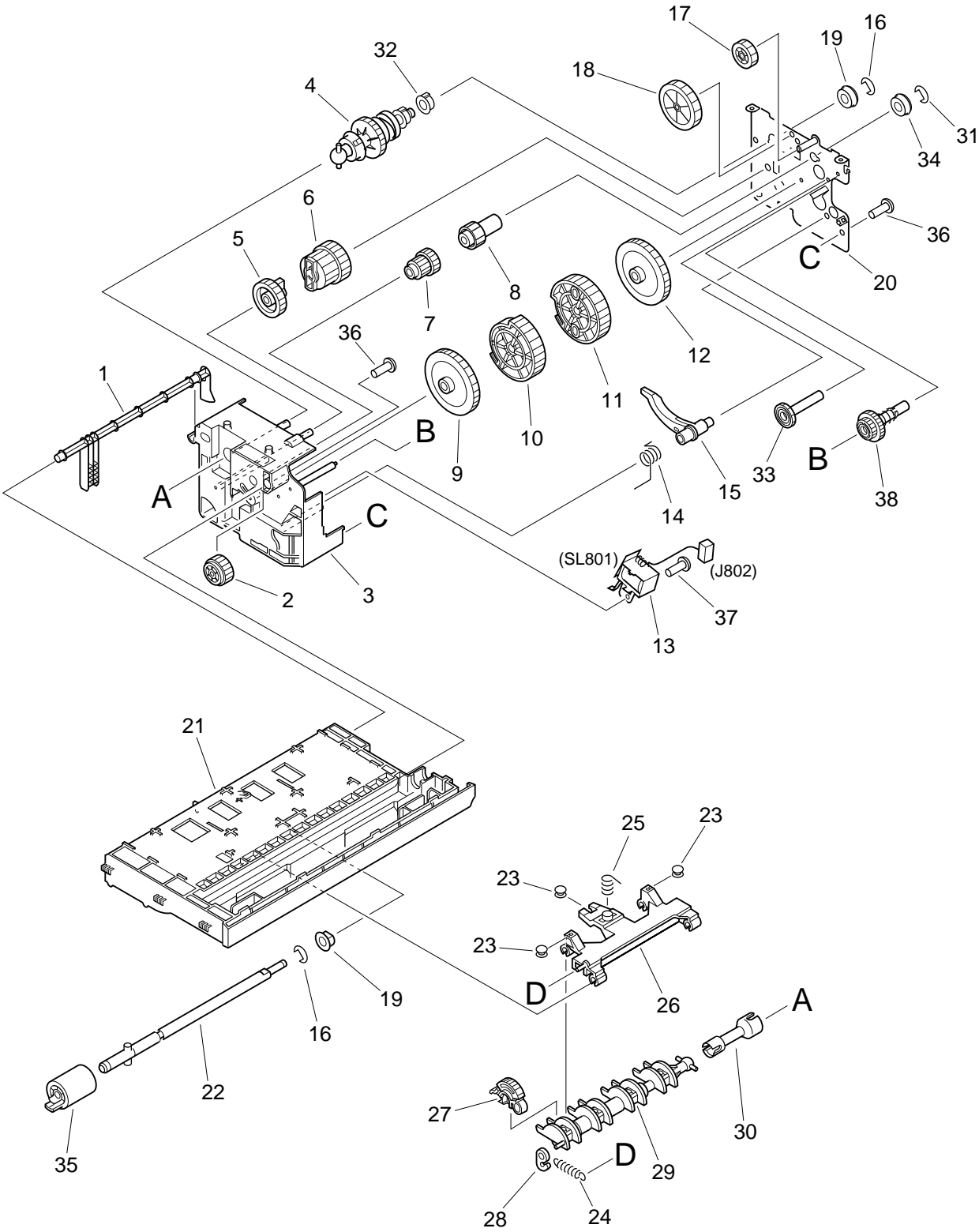




FIGURE & KEY NO.	PART NUMBER	RANK	QTY	DESCRIPTION	SERIAL NUMBER / REMARKS
E20 -	RG5-2690-110		1	PAPER PICK-UP DRIVE ASS'Y	
1	RB1-8879-000		1	LEVER, SENSOR	
2	RS5-0940-000		1	GEAR, 20T	
3	RB1-8919-020		1	BLOCK, DRIVE	
4	RG5-2675-000		1	TORQUE LIMITER ASS'Y	
5	RS5-0933-000		1	GEAR, 27T	
6	RS5-0932-000		1	GEAR, 23T/27T	
7	RS5-0939-000		1	GEAR, 14T/18T	
8	RS5-0975-000		1	GEAR, 18T	
9	RS5-0938-000		1	GEAR, 53T	
10	RS5-0935-000		1	GEAR, 31T/39T	
11	RS5-0934-000		1	GEAR, 49T	
12	RS5-0931-000		1	GEAR, 41T	
13	RH7-5174-000		1	SOLENOID	SL801, J802
14	RB1-8881-000		1	SPRING, TORSION	
15	RB1-8880-000		1	LEVER	
16	XD9-0135-000		2	RING, E	
17	RS5-0942-000		1	GEAR, 16T	
18	RS5-0943-000		1	GEAR, 31T	
19	RS5-1307-000		2	BUSHING	
20	RF5-2859-000		1	PLATE, DRIVE	
21	RB1-8918-020		1	GUIDE	
22	RF5-2491-000		1	SHAFT, PAPER FEED	
23	RB1-8883-000		3	DAMPER	
24	RS5-2632-000		1	SPRING, TENSION	
25	RS5-2633-000		1	SPRING, COMPRESSION	
26	RB1-8866-000		1	ARM	
27	RB1-8865-000		4	ROLLER	
28	RB1-2190-000		1	COLLAR, SPRING	
29	RB1-8867-000		1	SHAFT, ROLLER	
30	RB1-8877-000		1	JOINT	
31	XD9-0134-000		1	RING, E	
32	RB1-8955-000		1	SPACER	
33	RS5-0944-000		1	GEAR, 19T	
34	RS5-1308-000		1	BUSHING	
35	RF5-1885-000		1	ROLLER	
36	XA9-0870-000		5	SCREW, M4X10	
37	XA9-0917-000		1	SCREW, M3X16	
38	RF5-2512-000		1	GEAR, RATCHET	

# FIGURE E30 CASSETTE

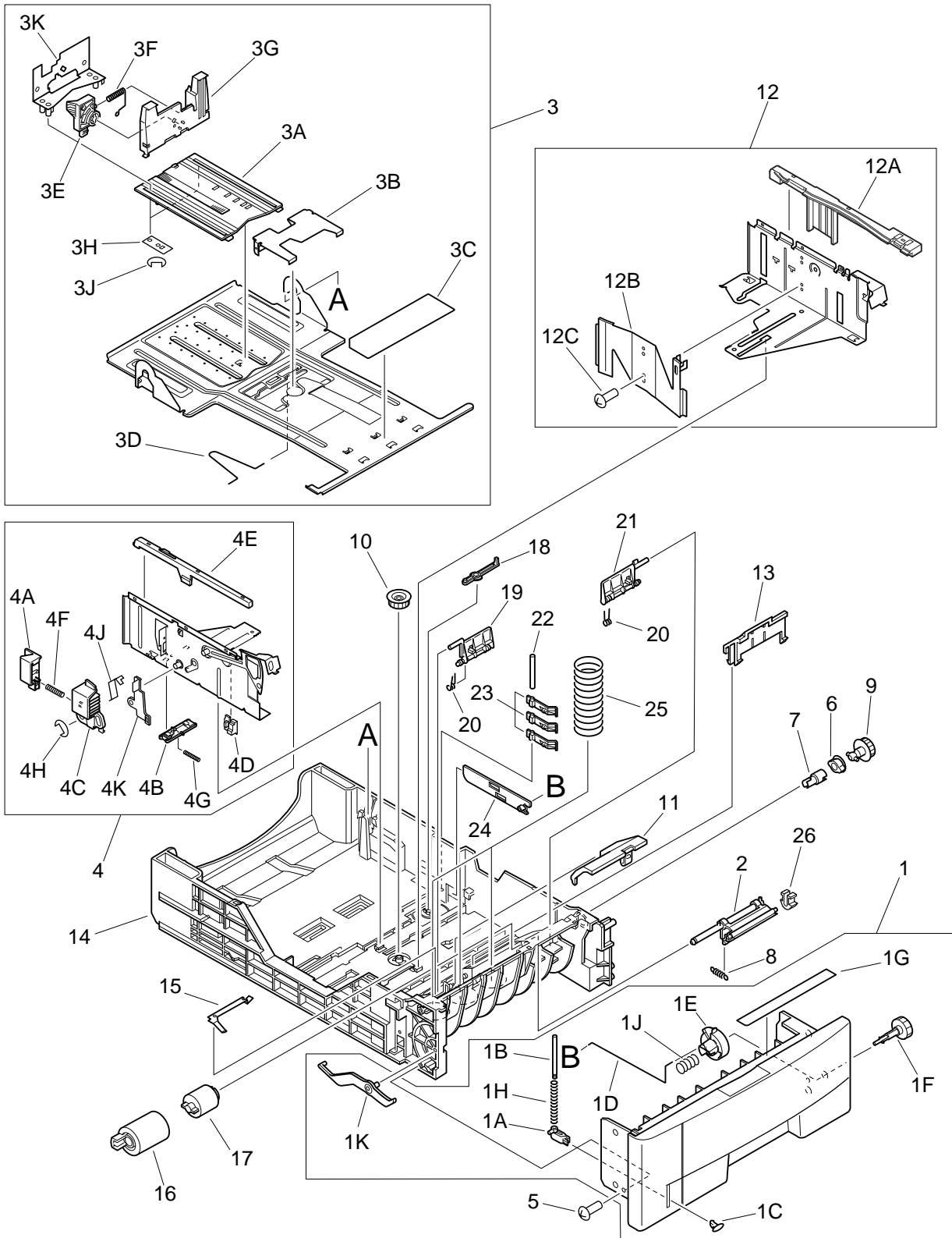


FIGURE & KEY NO.	PART NUMBER	RANK	QTY	DESCRIPTION	SERIAL NUMBER / REMARKS
E30 -	NPN		RF	CASSETTE	
1	RG5-4671-000		1	FRONT COVER ASS'Y	
1A	RB1-8967-000		1	HOLDER, BLOCK	
1B	RB1-8968-000		1	SHAFT, SENSOR ARM	
1C	RB2-2773-000		1	BLOCK, SENSOR	
1D	RB1-9382-000		1	ROD, SIZE	
1E	RB1-9383-000		1	CLICK, SIZE	
1F	RB1-9384-000		1	DIAL, SIZE	
1G	RS6-8005-000		1	LABEL, SIZE	
1H	RS5-2625-000		1	SPRING, COMPRESSION	
1J	RS5-2982-000		1	SPRING, COMPRESSION	
1K	RB1-8966-000		1	ARM, SENSOR	
2	RF5-2489-000		1	HOLDER	
3	RG5-4672-000		1	PAPER LIFTING PLATE ASS'Y	
3A	RB1-9393-000		1	PLATE, GUIDE	
3B	RB1-9372-000		1	PLATE, LENGTH ADJUSTMENT (A5)	
3C	RB1-9394-020		1	SHEET, OPERATION	
3D	RB1-9392-000		1	ROD	
3E	RB1-9374-000		1	STOPPER	
3F	RS5-2981-000		1	SPRING, COMPRESSION	
3G	RB1-9371-000		1	PLATE, LENGTH ADJUSTMENT	
3H	RB1-8983-000		2	PLATE, REAR	
3J	XD9-0134-000		4	RING, E	
3K	RF5-2793-000		1	PLATE, SUPPORT, REAR	
4	RG5-2694-000		1	LEFT SIDE LIMIT PLATE ASS'Y	
4A	RB1-9375-000		1	LEVER, SIDE	
4B	RB1-9387-000		1	CLICK, SIDE	
4C	RB1-9389-000		1	LEVER, SIDE STOPPER	
4D	RB1-8892-000		1	HOLDER, CLAW	
4E	RB1-9388-000		1	COVER, SIDE	
4F	RS5-2672-000		1	SPRING, COMPRESSION	
4G	RS5-2674-000		1	SPRING, COMPRESSION	
4H	XD9-0136-000		2	RING, E	
4J	RB1-8981-000		1	SPRING, LEAF	
4K	RB1-8985-000		1	PLATE, STOP, SIDE	
5	XA9-0606-000		2	SCREW, M4X10	
6	RB1-8946-000		1	BUSHING	
7	RB1-8945-000		1	JOINT	
8	RS5-2622-020		1	SPRING, TENSION	
9	RB1-8948-000		1	GEAR, 22T	
10	RB1-8970-000		1	GEAR, 20T	
11	RB2-2775-000		1	COVER	
12	RG5-4288-000		1	RIGHT SIDE LIMIT PLATE ASS'Y	
12A	RB1-9395-000		1	COVER, SIDE	
12B	RB1-9379-000		1	SPRING, LEAF	
12C	XA9-0903-000		2	SCREW, M3X5	
13	RB2-2754-000		1	HOLDER, REAR	
14	RB2-2774-000	N	1	BODY, CASSETTE	
15	RB1-8972-000		1	SPRING, LEAF	
16	RF5-1885-000		1	ROLLER	

FIGURE & KEY NO.	PART NUMBER	RANK	QTY	DESCRIPTION	SERIAL NUMBER / REMARKS
E30 - 17	RB1-8974-000		1	LIMITER, TORQUE	
18	RB1-9380-000		1	LEVER, SIZE CAM	
19	RB1-8961-000		1	ARM, LIFTER, LEFT	
20	RB1-8973-000		2	SPRING, TORSION	
21	RB1-8962-000		1	ARM, LIFTER, RIGHT	
22	RB1-8964-000		1	SHAFT, SIZE ARM	
23	RB1-8963-000		3	ARM, SIZE	
24	RB1-9381-020		1	PLATE	
25	RS5-2621-000		3	SPRING, COMPRSSION	
26	RB1-8956-000		1	STOPPER, REAR	

# FIGURE E90 PCB ASS'Y LOCATION DIAGRAM

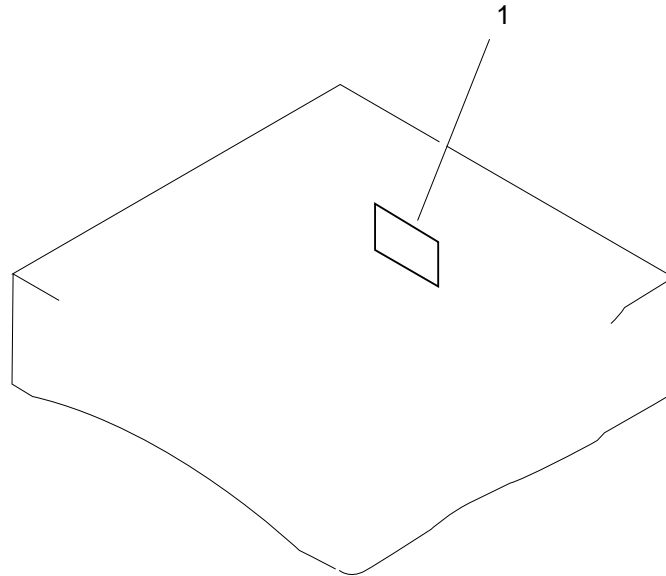


FIGURE & KEY NO.	PART NUMBER	RANK	QTY	DESCRIPTION	SERIAL NUMBER / REMARKS
E90 - 1	NPN RG5-3821-000		RF 1	PCB ASS'Y LOCATION DIAGRAM PAPER FEEDER DRIVER PCB ASS'Y	



# B NUMERICAL INDEX

PART NUMBER	FIGURE & KEY NO.	PART NUMBER	FIGURE & KEY NO.	PART NUMBER	FIGURE & KEY NO.
FA9-1449-000	102 - 17	RB1-8763-000	310 - 1	RB1-8945-000	E30 - 7
	104 - 11	RB1-8764-000	100 - 3B	RB1-8946-000	300 - 16
	106 - 4	RB1-8765-000	310 - 2		E30 - 6
	110 - 6	RB1-8766-000	310 - 3	RB1-8948-000	300 - 5
	325 - 18	RB1-8767-000	315 - 2		E30 - 9
FA9-2753-000	E11 - 3	RB1-8771-020	310 - 4	RB1-8951-000	300 - 2B
	E11 - 4E	RB1-8773-000	310 - 5	RB1-8952-000	300 - 27C
RA2-1575-020	F10 - 1	RB1-8779-000	310 - 6	RB1-8953-000	300 - 27A
RA2-1582-030	F11 - 15	RB1-8780-000	310 - 7	RB1-8954-000	300 - 25A
RB1-2190-000	270 - 4	RB1-8781-020	315 - 5	RB1-8955-000	270 - 5
	E20 - 28	RB1-8782-000	310 - 8		E20 - 32
	F12 - 2	RB1-8783-000	310 - 9	RB1-8956-000	300 - 21
RB1-2309-000	370 - 9A	RB1-8784-000	310 - 10		E30 - 26
RB1-8107-000	105 - 3A	RB1-8785-000	310 - 11	RB1-8957-000	270 - 29A
	E11 - 7A	RB1-8787-000	310 - 12	RB1-8961-000	300 - 12
RB1-8239-020	D11 - 12F	RB1-8788-020	310 - 13		E30 - 19
RB1-8668-000	330 - 3	RB1-8789-000	310 - 14	RB1-8962-000	300 - 13
RB1-8671-000	103 - 2	RB1-8794-040	810 - 1		E30 - 21
RB1-8672-000	330 - 4	RB1-8796-000	810 - 2	RB1-8963-000	300 - 10
RB1-8673-000	330 - 5	RB1-8797-030	810 - 3		E30 - 23
RB1-8674-000	330 - 6	RB1-8798-020	810 - 4	RB1-8964-000	300 - 11
RB1-8677-000	104 - 5A	RB1-8801-000	810 - 7		E30 - 22
RB1-8678-000	103 - 16B	RB1-8804-020	810 - 8	RB1-8965-000	300 - 8
RB1-8680-000	103 - 16C	RB1-8806-000	810 - 5A	RB1-8966-000	300 - 22
RB1-8681-000	103 - 16D	RB1-8807-000	810 - 10		E30 - 1K
RB1-8682-000	330 - 2	RB1-8808-000	810 - 11	RB1-8967-000	300 - 23A
RB1-8684-000	330 - 14	RB1-8810-000	810 - 35		E30 - 1A
RB1-8685-000	330 - 7	RB1-8811-000	810 - 13	RB1-8968-000	300 - 23B
RB1-8686-000	330 - 8	RB1-8812-000	810 - 14		E30 - 1B
RB1-8687-000	103 - 16E	RB1-8813-020	810 - 15	RB1-8970-000	300 - 15
RB1-8688-000	103 - 10	RB1-8814-000	810 - 28		E30 - 10
RB1-8689-000	103 - 19	RB1-8816-000	810 - 5B	RB1-8971-020	300 - 2C
RB1-8690-000	103 - 12	RB1-8817-000	810 - 29	RB1-8972-000	300 - 17
RB1-8692-000	330 - 9	RB1-8819-000	810 - 9		E30 - 15
RB1-8693-000	103 - 11	RB1-8822-000	810 - 6B	RB1-8973-000	300 - 14
RB1-8694-000	102 - 10B	RB1-8823-000	810 - 30		E30 - 20
RB1-8695-000	103 - 13	RB1-8824-000	810 - 5C	RB1-8974-000	300 - 20
RB1-8696-000	330 - 10	RB1-8825-000	370 - 9D		E30 - 17
RB1-8697-000	330 - 11	RB1-8827-000	103 - 20	RB1-8979-000	105 - 4H
RB1-8699-000	103 - 3A	RB1-8828-000	370 - 10A	RB1-8981-000	E30 - 4J
RB1-8700-000	103 - 7	RB1-8833-000	102 - 8A	RB1-8983-000	E30 - 3H
RB1-8701-000	330 - 12	RB1-8834-000	110 - 4	RB1-8985-000	E30 - 4K
RB1-8702-000	103 - 3B	RB1-8838-000	104 - 1	RB1-8986-000	260 - 8A
RB1-8703-000	106 - 10	RB1-8846-000	101 - 3	RB1-8990-000	100 - 7
RB1-8704-030	102 - 1	RB1-8847-000	101 - 4	RB1-9036-000	D11 - 1
RB1-8706-000	103 - 8	RB1-8851-000	102 - 2	RB1-9037-000	D11 - 8
RB1-8708-000	103 - 18	RB1-8854-020	110 - 8	RB1-9038-000	D11 - 11
RB1-8709-020	110 - 10	RB1-8855-000	110 - 9	RB1-9039-000	D10 - 9
RB1-8710-000	101 - 5	RB1-8862-000	102 - 4	RB1-9040-000	D10 - 3B
RB1-8712-000	102 - 9	RB1-8865-000	E20 - 27	RB1-9041-000	D11 - 10
RB1-8713-000	104 - 9A	RB1-8866-000	270 - 28	RB1-9042-000	D11 - 34
RB1-8714-000	104 - 9C		E20 - 26	RB1-9048-000	D11 - 3
RB1-8716-000	104 - 4	RB1-8867-000	E20 - 29	RB1-9049-000	D10 - 3L
RB1-8720-030	370 - 1	RB1-8869-000	270 - 1	RB1-9050-000	D11 - 22
RB1-8721-000	370 - 2	RB1-8871-050	270 - 35	RB1-9051-000	D11 - 17
RB1-8723-000	370 - 9B	RB1-8872-000	270 - 36	RB1-9052-000	D11 - 7
RB1-8727-000	370 - 12A	RB1-8873-000	105 - 6A	RB1-9054-000	D10 - 2
	370 - 8A	RB1-8877-000	270 - 6	RB1-9055-000	D10 - 3P
RB1-8728-000	370 - 12B		E20 - 30	RB1-9056-000	D11 - 6
	370 - 8B	RB1-8879-000	270 - 8	RB1-9060-000	D11 - 12B
	370 - 9C		E20 - 1	RB1-9061-000	D10 - 17
RB1-8729-000	370 - 9C		270 - 9	RB1-9062-000	D10 - 3N
RB1-8730-020	325 - 20	RB1-8880-000	E20 - 15	RB1-9063-000	D11 - 5
RB1-8731-000	325 - 16		270 - 10	RB1-9064-000	D11 - 4
RB1-8732-000	320 - 4	RB1-8881-000	E20 - 14	RB1-9065-000	D10 - 3K
RB1-8733-020	325 - 3		270 - 33	RB1-9066-000	D10 - 13
RB1-8734-020	325 - 9	RB1-8883-000	E20 - 23	RB1-9067-000	D11 - 18A
RB1-8735-000	320 - 3		105 - 4A	RB1-9068-000	D10 - 14
RB1-8736-000	320 - 5	RB1-8886-020	E11 - 4B	RB1-9069-000	D10 - 3A
RB1-8737-000	325 - 14		105 - 4B	RB1-9070-000	D10 - 3D
RB1-8739-020	325 - 1	RB1-8887-000	E11 - 4C	RB1-9071-000	D10 - 1
RB1-8740-000	325 - 23		105 - 4J	RB1-9072-000	D11 - 20
RB1-8741-000	325 - 22	RB1-8888-000	105 - 6B	RB1-9073-000	D11 - 33
RB1-8742-000	325 - 19	RB1-8890-000	270 - 32	RB1-9074-000	D11 - 21
RB1-8743-000	320 - 11	RB1-8891-000	300 - 27B	RB1-9075-000	D10 - 10
RB1-8744-000	320 - 12	RB1-8892-000	E30 - 4D	RB1-9076-000	D10 - 19
RB1-8745-020	320 - 10		300 - 25D	RB1-9078-000	D11 - 12J
RB1-8746-030	325 - 12	RB1-8893-000	E20 - 21	RB1-9079-000	D11 - 12K
RB1-8747-000	104 - 6	RB1-8918-020	E20 - 3	RB1-9080-000	D10 - 15
RB1-8748-000	325 - 21	RB1-8919-020	E11 - 1A	RB1-9081-000	D10 - 8
RB1-8753-000	260 - 3	RB1-8921-000	E11 - 1B	RB1-9082-000	D10 - 3Q
RB1-8754-000	260 - 4	RB1-8922-000	E11 - 1C	RB1-9084-000	D11 - 14
RB1-8755-000	260 - 5	RB1-8923-000	E11 - 1D	RB1-9090-000	F12 - 6
RB1-8756-000	260 - 6	RB1-8926-000	E11 - 1J	RB1-9096-000	F12 - 8
RB1-8757-000	260 - 7	RB1-8934-000	300 - 3	RB1-9097-000	F12 - 9
RB1-8760-000	260 - 20	RB1-8945-000			

PART NUMBER	FIGURE & KEY NO.	PART NUMBER	FIGURE & KEY NO.	PART NUMBER	FIGURE & KEY NO.
RB1-9098-000	F12 - 10	RB2-2775-000	E30 - 11	RG5-2673-000	105 - 4K
RB1-9100-000	F11 - 2	RB2-2776-000	300 - 1		900 - 5
RB1-9101-000	F11 - 3	RB2-3491-000	F11 - 26	RG5-2675-000	270 - 17
RB1-9102-000	F11 - 20	RB2-3492-000	F11 - 27		E20 - 4
RB1-9103-000	F11 - 21	RB2-3493-000	F11 - 28	RG5-2689-000	E11 - 1
RB1-9104-000	F11 - 22	RB2-3497-000	E11 - 5	RG5-2690-110	E20 -
RB1-9105-000	F11 - 13	RB2-3659-000	D11 - 15	RG5-2694-000	E30 - 4
RB1-9108-000	F11 - 16	RB2-3733-000	E11 - 4L	RG5-2699-000	300 - 27
RB1-9112-000	F12 - 13	RB2-3734-000	E11 - 4M	RG5-2705-000	370 - 10
RB1-9114-000	F12 - 14	RB2-3827-000	F10 - 3	RG5-2718-000	D11 - 12
RB1-9115-000	F11 - 4	RB2-3829-000	F10 - 11A	RG5-2719-000	D10 - 3
RB1-9116-000	F12 - 16	RB2-3830-000	F10 - 4	RG5-2721-000	810 - 6
RB1-9117-000	F10 - 2	RB2-3834-000	F10 - 5	RG5-2722-000	810 - 5
RB1-9118-000	F10 - 11B	RB2-3835-000	F10 - 8A	RG5-2726-000	370 - 12
RB1-9119-000	F10 - 6	RB2-3836-000	F10 - 8B	RG5-3409-000	810 - 32
RB1-9121-000	F10 - 8C	RB2-3837-000	F10 - 7	RG5-3411-000	810 - 33
RB1-9122-000	F10 - 13	RB2-3838-000	D10 - 7	RG5-3693-070	110 -
RB1-9123-000	F11 - 5	RB2-3839-000	D10 - 12		900 - 4
RB1-9124-000	F11 - 6	RB2-3841-000	D10 - 11	RG5-3694-070	110 -
RB1-9371-000	E30 - 3G	RB2-3842-000	D10 - 18		900 - 4
RB1-9372-000	E30 - 3B	RB2-4121-000	310 - 34	RG5-3696-000	102 - 8
RB1-9374-000	E30 - 3E	RB2-4123-000	310 - 35	RG5-3697-000	110 - 13
RB1-9375-000	E30 - 4A	RB2-4124-000	310 - 36	RG5-3698-000	110 - 7
RB1-9379-000	300 - 25B	RB2-4125-000	310 - 37	RG5-3700-000	102 - 11
	E30 - 12B	RB2-4626-000	370 - 13A	RG5-3703-000	102 - 14
	E30 - 18	RB2-4628-000	370 - 6	RG5-3704-000	102 - 15
RB1-9380-000	E30 - 24	RB2-4629-000	370 - 11	RG5-3705-000	102 - 5
RB1-9381-020	E30 - 1D	RF1-3548-000	F11 - 17	RG5-3706-000	103 - 16F
RB1-9383-000	E30 - 1E	RF5-1495-000	810 - 6A	RG5-3708-000	102 - 6
RB1-9384-000	E30 - 1F	RF5-1867-030	104 - 5	RG5-3709-000	102 - 7
RB1-9387-000	E30 - 4B	RF5-1868-000	260 - 1	RG5-3710-000	103 - 17
RB1-9388-000	E30 - 4E	RF5-1869-000	260 - 2	RG5-3711-000	105 - 4D
RB1-9389-000	E30 - 4C	RF5-1870-000	310 - 16		E11 - 4H
RB1-9392-000	E30 - 3D	RF5-1871-000	250 - 1	RG5-3712-000	105 - 4E
RB1-9393-000	E30 - 3A	RF5-1873-000	310 - 17	RG5-3718-000	310 - 26
RB1-9394-020	E30 - 3C	RF5-1874-000	810 - 12	RG5-3721-000	250 -
RB1-9395-000	E30 - 12A	RF5-1879-000	D11 - 12H	RG5-3729-000	102 - 3
RB1-9397-000	E11 - 4F	RF5-1883-000	D11 - 18	RG5-3821-000	E11 - 4D
RB2-2385-000	310 - 26A	RF5-1885-000	270 - 30		E90 - 1
RB2-2386-000	310 - 15		300 - 18	RG5-3822-000	E11 - 4J
RB2-2387-000	310 - 29		E20 - 35	RG5-3830-000	F90 - 1
RB2-2389-000	310 - 31		E30 - 16	RG5-3831-000	F10 - 11C
RB2-2390-030	310 - 32	RF5-1888-020	260 - 8	RG5-3832-000	D90 - 1
RB2-2393-000	325 - 5	RF5-2484-030	270 - 29	RG5-3833-000	D10 - 6
RB2-2394-000	325 - 8	RF5-2485-040	300 - 2	RG5-3834-000	D10 - 3E
RB2-2395-000	325 - 11	RF5-2489-000	300 - 19	RG5-3835-000	D10 - 5
RB2-2396-000	325 - 25		E30 - 2	RG5-3836-000	D11 - 36
RB2-2399-000	310 - 33	RF5-2491-000	270 - 7	RG5-3837-000	D10 - 4
RB2-2402-000	110 - 11		E20 - 22	RG5-3876-000	103 - 14
RB2-2404-000	104 - 2	RF5-2495-030	330 - 13	RG5-4283-000	104 - 9
RB2-2406-000	F12 - 22	RF5-2496-000	104 - 8	RG5-4288-000	E30 - 12
RB2-2407-000	F11 - 7	RF5-2497-000	325 - 13	RG5-4290-080	810 - 34
RB2-2411-000	310 - 30	RF5-2510-000	F11 - 8	RG5-4291-080	810 - 34
RB2-2412-000	E11 - 10	RF5-2512-000	E20 - 38	RG5-4299-000	F11 - 25
RB2-2414-000	325 - 6A	RF5-2513-000	F11 - 12	RG5-4401-000	300 - 25
RB2-2731-000	100 - 2A	RF5-2639-000	F11 - 18	RG5-4536-000	100 - 3
RB2-2732-000	100 - 1B	RF5-2661-000	325 - 6	RG5-4537-040	315 -
RB2-2733-000	100 - 1A	RF5-2760-000	300 - 2A	RG5-4538-100	370 -
RB2-2737-000	101 - 1	RF5-2793-000	E30 - 3K	RG5-4539-000	101 -
RB2-2739-000	100 - 3A	RF5-2799-000	F10 - 9	RG5-4540-000	103 - 21
RB2-2740-000	100 - 4	RF5-2800-000	F10 - 10	RG5-4541-000	100 - 1
RB2-2741-000	100 - 6	RF5-2801-000	D10 - 16	RG5-4542-000	100 - 2
RB2-2742-000	103 - 1	RF5-2850-000	101 - 2	RG5-4544-000	105 - 4
RB2-2743-000	315 - 1	RF5-2851-000	106 - 2	RG5-4545-000	105 - 5
RB2-2744-000	315 - 3	RF5-2852-000	101 - 2	RG5-4546-000	300 - 23
RB2-2745-000	315 - 4	RF5-2859-000	E20 - 20	RG5-4547-000	900 - 1
RB2-2747-000	810 - 31	RG1-3801-000	900 - 2	RG5-4548-000	101 -
RB2-2749-000	100 - 5	RG1-4026-000	900 - 3	RG5-4551-000	F10 - 11
RB2-2750-000	103 - 5	RG1-4034-000	900 - 1	RG5-4553-000	F10 - 8
RB2-2751-000	103 - 6	RG5-2641-030	103 - 3	RG5-4668-000	E11 - 4
RB2-2753-000	100 - 3C	RG5-2642-000	103 - 16	RG5-4669-000	E11 - 2
RB2-2754-000	300 - 26	RG5-2643-060	330 -	RG5-4671-000	E30 - 1
	E30 - 13	RG5-2645-000	102 - 10	RG5-4672-000	E30 - 3
RB2-2756-000	E11 - 8	RG5-2649-000	370 - 8	RG5-5005-000	370 - 13
RB2-2757-000	E11 - 9	RG5-2650-000	370 - 9	RH3-8006-000	110 - 1
RB2-2759-000	106 - 2A	RG5-2651-020	320 -	RH7-1335-000	103 - 9
RB2-2761-000	106 - 9	RG5-2652-080	325 -	RH7-1360-000	D11 - 35
RB2-2762-000	106 - 1	RG5-2653-020	260 -	RH7-1361-000	D10 - 3C
RB2-2764-000	106 - 3	RG5-2655-100	310 -	RH7-1366-000	D11 - 13
RB2-2767-000	106 - 5	RG5-2661-290	810 -	RH7-5171-000	320 - 6
RB2-2768-000	106 - 6	RG5-2662-300	810 -	RH7-5172-000	310 - 18
RB2-2773-000	300 - 23C	RG5-2670-000	105 - 3	RH7-5174-000	270 - 27
	E30 - 1C		E11 - 7		E20 - 13
RB2-2774-000	E30 - 14	RG5-2671-000	105 - 6	RH7-5198-000	F12 - 21
RB2-2775-000	300 - 7	RG5-2672-140	270 -	RH7-5199-000	D11 - 19



PART NUMBER	FIGURE & KEY NO.	PART NUMBER	FIGURE & KEY NO.	PART NUMBER	FIGURE & KEY NO.
RH7-7098-000	110 - 3	RS5-1304-000	D11 - 9	XA9-0547-000	D11 - 37
RH7-8059-000	110 - 5	RS5-1307-000	270 - 2	XA9-0596-000	315 - 6
RL6-0002-000	E11 - 2B		E20 - 19	XA9-0605-000	310 - 27
	E11 - 4N	RS5-1308-000	270 - 3	XA9-0606-000	104 - 3
RS1-1053-000	F11 - 23		E20 - 34		300 - 24
	F12 - 20	RS5-1309-000	E11 - 1F		E30 - 5
RS5-0908-000	260 - 9	RS5-1310-020	810 - 16	XA9-0640-000	270 - 34
RS5-0909-000	320 - 7	RS5-1416-000	370 - 4	XA9-0780-000	103 - 24
RS5-0910-000	325 - 17	RS5-1419-000	325 - 15	XA9-0790-000	102 - 18
RS5-0911-000	104 - 7	RS5-2621-000	300 - 4		103 - 4
RS5-0912-000	260 - 10		E30 - 25	XA9-0870-000	102 - 16
RS5-0913-000	260 - 11	RS5-2622-020	300 - 6		103 - 23
RS5-0914-000	260 - 12		E30 - 8		104 - 10
RS5-0915-000	260 - 13	RS5-2623-000	300 - 27D		105 - 2
RS5-0916-000	260 - 14	RS5-2624-000	300 - 9		106 - 11
RS5-0917-000	260 - 15	RS5-2625-000	300 - 23D		270 - 26
RS5-0919-000	260 - 16		E30 - 1H		E20 - 36
RS5-0921-000	810 - 17	RS5-2627-000	320 - 9	XA9-0872-000	810 - 36
RS5-0922-000	810 - 18	RS5-2628-000	325 - 2	XA9-0903-000	300 - 25C
RS5-0923-000	810 - 19	RS5-2629-000	260 - 17		E30 - 12C
RS5-0924-000	810 - 20	RS5-2630-000	330 - 1	XA9-0904-000	102 - 13
RS5-0925-000	810 - 21	RS5-2631-000	260 - 18	XA9-0915-000	105 - 4C
RS5-0926-000	250 - 2	RS5-2632-000	270 - 24		E11 - 4A
RS5-0927-000	250 - 3		E20 - 24	XA9-0917-000	105 - 1
RS5-0928-000	250 - 4	RS5-2633-000	270 - 25		E11 - 6
RS5-0929-000	370 - 3		E20 - 25		E20 - 37
RS5-0930-000	270 - 11	RS5-2635-000	810 - 25	XA9-0935-000	D10 - 3G
RS5-0931-000	270 - 12	RS5-2636-000	310 - 22	XA9-0950-000	110 - 12
	E20 - 12	RS5-2637-000	310 - 23	XA9-0957-000	D11 - 38
RS5-0932-000	270 - 13	RS5-2638-000	310 - 24	XA9-0969-000	F11 - 31
	E20 - 6	RS5-2639-000	370 - 5	XB1-2300-407	D11 - 504
RS5-0933-000	270 - 14	RS5-2652-000	105 - 5A	XB2-6300-807	D11 - 505
	E20 - 5		E11 - 2A	XB4-7300-807	F10 - 505
RS5-0934-000	270 - 15	RS5-2653-000	E11 - 1G	XB4-7300-809	F11 - 502
	E20 - 11	RS5-2654-000	F11 - 14	XB4-7301-009	F10 - 504
RS5-0935-000	270 - 16	RS5-2655-000	F11 - 19	XB4-7400-806	F10 - 8D
	E20 - 10	RS5-2656-000	F12 - 3	XB4-7400-807	F10 - 501
RS5-0937-000	270 - 18	RS5-2657-000	F12 - 1		F12 - 504
RS5-0938-000	270 - 19	RS5-2658-000	E11 - 11	XB5-2300-609	105 - 501
	E20 - 9	RS5-2672-000	E30 - 4F		E11 - 501
RS5-0939-000	270 - 20	RS5-2674-000	E30 - 4G	XB6-7300-407	F12 - 503
	E20 - 7	RS5-2981-000	E30 - 3F	XB6-7300-607	D10 - 501
RS5-0940-000	270 - 21	RS5-2982-000	E30 - 1J		D10 - 3J
	E20 - 2	RS5-3133-000	D11 - 12A		D11 - 503
RS5-0941-000	270 - 22	RS5-3134-000	D11 - 12E		F12 - 502
RS5-0942-000	E20 - 17	RS5-6239-000	D11 - 16	XB6-7300-807	F10 - 503
RS5-0943-000	E20 - 18	RS5-8380-000	810 - 38	XB7-2200-307	110 - 501
RS5-0944-000	E20 - 33	RS6-2066-000	F11 - 29	XD1-0168-000	D10 - 3H
RS5-0946-000	E11 - 1E	RS6-2067-000	F11 - 30	XD2-1100-322	D11 - 501
RS5-0948-000	104 - 9B	RS6-2146-000	310 - 38		D11 - 12M
RS5-0949-000	D11 - 23	RS6-8005-000	E30 - 1G	XD2-1100-402	F11 - 501
RS5-0950-000	D11 - 24	RS6-8113-000	103 - 22		F12 - 501
RS5-0951-000	D11 - 25	RS6-8154-000	F10 - 10A	XD2-1100-502	D11 - 502
RS5-0952-000	D11 - 26	VD7-0214-001	110 - 2		D11 - 12N
RS5-0953-000	D11 - 31	VD7-0643-151	110 - 2		E11 - 1H
RS5-0954-000	D11 - 30	VS1-5057-004	D10 - 3F	XD2-2100-402	F10 - 502
RS5-0955-000	D11 - 29	VS1-5352-003	D10 - 3R	XD3-1160-102	320 - 501
RS5-0956-000	D11 - 32	VS1-6174-006	F10 - 11D	XD3-1300-802	F12 - 505
RS5-0958-000	D11 - 27	VS1-6175-006	D10 - 16A	XD3-2200-122	F11 - 503
RS5-0959-000	310 - 19		E11 - 4K	XD3-2300-102	F11 - 504
RS5-0960-000	F12 - 19	VS1-6176-006	105 - 4F	XD9-0103-000	325 - 4
RS5-0961-000	F12 - 18	WC4-5139-000	102 - 10A	XD9-0134-000	270 - 23
RS5-0962-000	F11 - 9	WD1-0268-000	110 - 1		E20 - 31
RS5-0963-000	F12 - 17	WE8-5107-000	F10 - 11E		E30 - 3J
RS5-0964-000	F12 - 15	WG8-5362-000	105 - 4G	XD9-0135-000	250 - 6
RS5-0965-000	F12 - 12		250 - 5		325 - 7
RS5-0966-000	F12 - 11		310 - 25		E20 - 16
RS5-0968-000	F11 - 10		D10 - 3M	XD9-0136-000	270 - 31
RS5-0969-000	F12 - 7		D10 - 3S		310 - 28
RS5-0970-000	F12 - 5		D11 - 2		320 - 14
RS5-0971-000	F11 - 11		E11 - 4G		370 - 7
RS5-0973-000	F10 - 12		F11 - 24		810 - 37
RS5-0974-000	F12 - 4	WG8-5382-000	103 - 16A		E30 - 4H
RS5-0975-000	E20 - 8		103 - 16G	XD9-0137-000	320 - 1
RS5-1075-000	F11 - 1		810 - 27		325 - 24
RS5-1286-020	320 - 2	WT2-5077-000	F10 - 11F	XF9-0639-000	D11 - 12D
RS5-1290-000	325 - 10	XA9-0134-000	D11 - 12L	XF9-0640-000	D11 - 12C
RS5-1291-000	320 - 8	XA9-0258-000	106 - 7		
RS5-1292-000	320 - 13	XA9-0265-000	102 - 8B		
RS5-1295-000	810 - 22	XA9-0267-000	106 - 8		
RS5-1296-000	810 - 23		260 - 19		
RS5-1297-000	810 - 24	XA9-0326-000	810 - 26		
RS5-1298-000	D11 - 12G	XA9-0384-000	103 - 15		
RS5-1300-000	D11 - 28	XA9-0434-000	102 - 12		
RS5-1303-020	310 - 21	XA9-0466-000	F11 - 32		



**Prepared by  
Peripheral Products Quality Planning Div.  
Peripheral Products Technical Documentation Dept.  
CANON INC.  
Printed in Japan**

**REVISION 0 [ MAY 1998 ]  
REVISION 1 [ DEC. 1999 ]**

**5-1, Hakusan 7-chome, Toride-shi, Ibaraki 302-8501, Japan**



This publication is printed on  
70% reprocessed paper.

# Canon